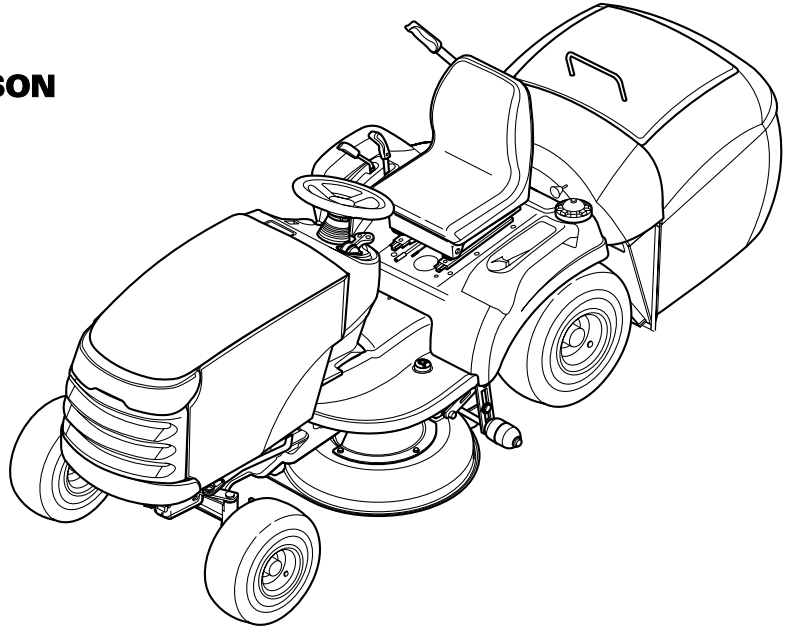




Parts Manual



MASSEY FERGUSON
LAWN & GARDEN EQUIPMENT



Baron XL

Series Lawn Tractors & Mower Decks

18HP Product

Mfg. No.	Description
1694670	Baron XL, 18HP Hydro RMO (CE)
1694672	Baron XL, 18HP Hydro RMO (CE)

20HP Product

Mfg. No.	Description
1694671	Baron XL, 20HP Hydro RMO (CE)
1694673	Baron XL, 20HP Hydro RMO (CE)

Mower Decks

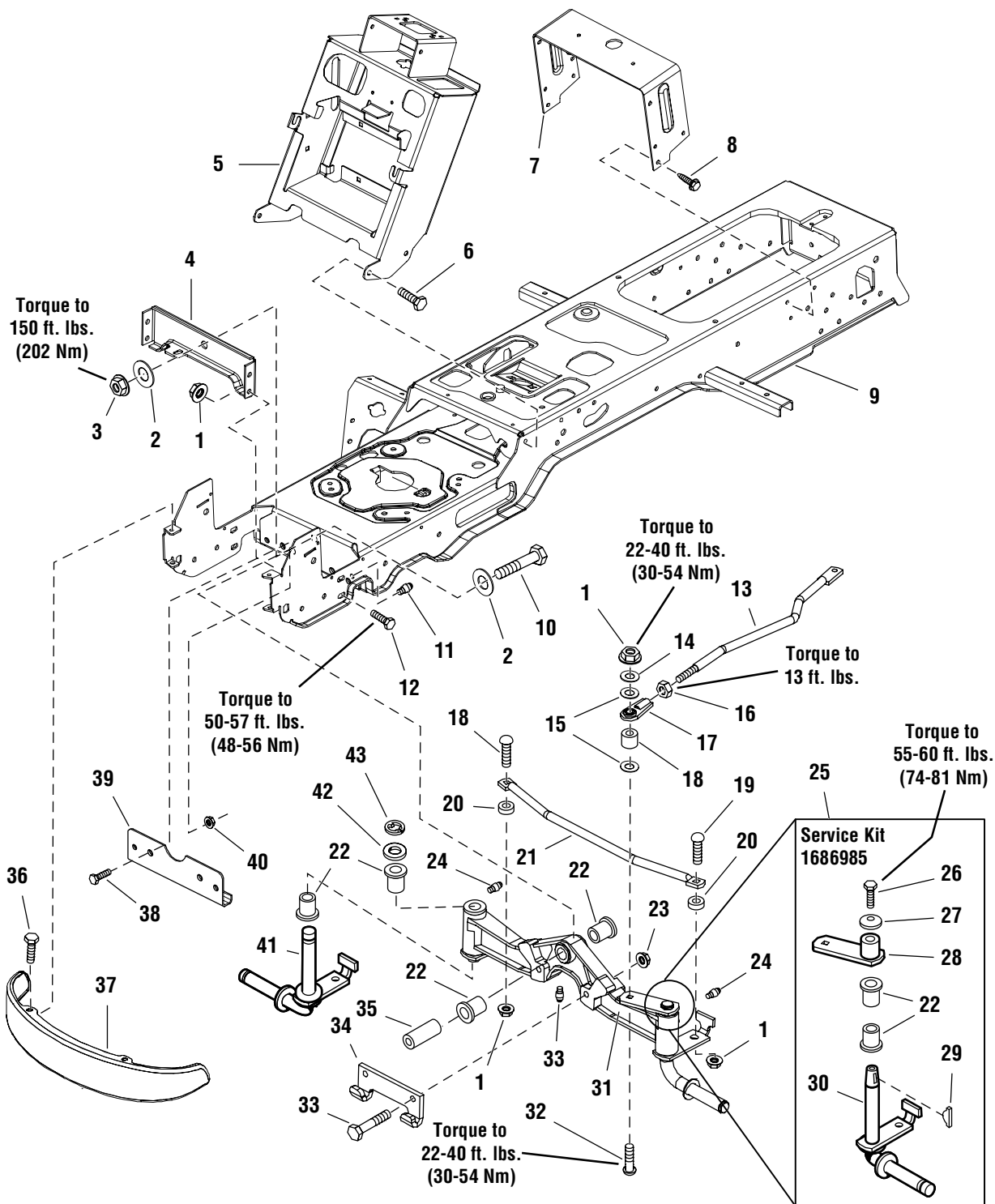
Mfg. No.	Description
1694790	40" Mower Deck (CE)
1694796	40" Mower Deck (CE)

PRODUCT COMPONENTS	PAGES
Frame & Front Axle Group	4
Steering Group	8
Engine Group - 18HP & 20HP Briggs & Stratton, VANGUARD Twin	10
Engine Group - 18HP Briggs & Stratton, INTEK Single	12
Transmission Group - Tuff Torq K-46BF	14
Lift Group	18
Controls Group	20
Cruise Control Group	24
Electrical Group	26
Hood, Grille & Dash Group	30
Seat Deck & Fuel Tank Group	32
Hopper Group	34
Deflector Group	38
Wheels & Tires Group	40
Decals Group - Brand & Model	42
Decals Group - Safety & Common	44
40" Mower Deck - Belt, Idle Arm & Hitch	46
40" Mower Deck - Height Adjustment & Roller Bar	48
40" Mower Deck - Housing, Arbors & Blade	52
Torque Specification Chart	Inside Back Cover

Frame & Front Axle Group

986818

NOTE: Unless noted otherwise, use the standard hardware torque specification chart.



The above parts group applies to the following Mfg. Nos.:

- 1694670 - Baron XL
- 1694671 - Baron XL
- 1694672 - Baron XL
- 1694673 - Baron XL

Frame & Front Axle Group

REF NO	PART NO.	QTY.	DESCRIPTION
1	1930645	7	NUT, Hex Flange Lock, 3/8-16
2	1960035	2	WASHER
3	960646	1	NUT, Hex Flange, 5/8-11
4	1722212	1	PLATE, Axle
5	1724081	1	TOWER & SUPPORT ASSEMBLY
6	1923683	4	CAPSCREW, Hex Head Taptite, 3/8-16 x 3/4
7	1723528	1	SUPPORT
8	1664847	4	CAPSCREW, Hex Head Taptite, 5/16-18 x 3/4
9	1727396	1	FRAME ASSEMBLY
10	960645	1	CAPSCREW, 5/8-11 x 3-1/2
11	1704314	2	FITTING, Grease for Wear Plate, 1/4-20, with Ball
12	1933260	4	CAPSCREW, Hex Head, Flange Lock, 3/8-16 x 3/4
13	1722541	1	LINK, Drag
14	1922755	1	WASHER
15	1960103	2	WASHER
16	1919262	1	NUT, Hex Jam, 1/2-20
17	1702779	1	JOINT, Ball
18	1708236	1	SPACER
19	1931350	2	CARRIAGE BOLT, 3/8-16 x 1
20	1611705	2	SPACER
21	1722626	1	ROD, Tie
22	1721682	6	BUSHING
23	1930650	2	NUT, Hex Flange Lock, 7/16-14
24	1704314	3	FITTING, Lube
25	1686985	1	SPINDLE REPLACEMENT KIT, LH (Includes Ref. Nos. 22, 26, 27, 28, 29 & 30)
26	923485	1	CAPSCREW, 3/8-16 x 7/8, GR8
27	1663151	1	WASHER, Spring, 3/8
28	1725112	1	HUB & ARM ASSEMBLY
29	930671	1	KEY, Woodruff
30	1724264	1	SPINDLE, LH
31	1722200	1	AXLE ASSEMBLY, w/ LH Spindle, Complete (Includes Ref. Nos. 22, 24, 41, 42 & 43)
32	1931352	1	CARRIAGE BOLT, 3/8-16 x 1-1/2
33	1927531	2	CAPSCREW, Hex Head, 7/16-14 x 2, GR8
34	1721918	1	HOOK, "J"
35	1721752	1	SPACER
36	1960086	4	SCREW, Torx Head, 5/16-18 x 7/8
37	1721805	1	BUMPER, Black, Steel, Standard
37	1723502	1	BUMPER, Chrome, Optional
38	1930591	2	CAPSCREW, Hex Whiz Lock, 5/16-18 x 3/4
39	1724801	1	PLATE, Axle Wear
40	1931277	2	NUT, Hex Falnge Whiz Lock, 5/16-18
41	1722199	1	SPINDLE, RH

Footnotes

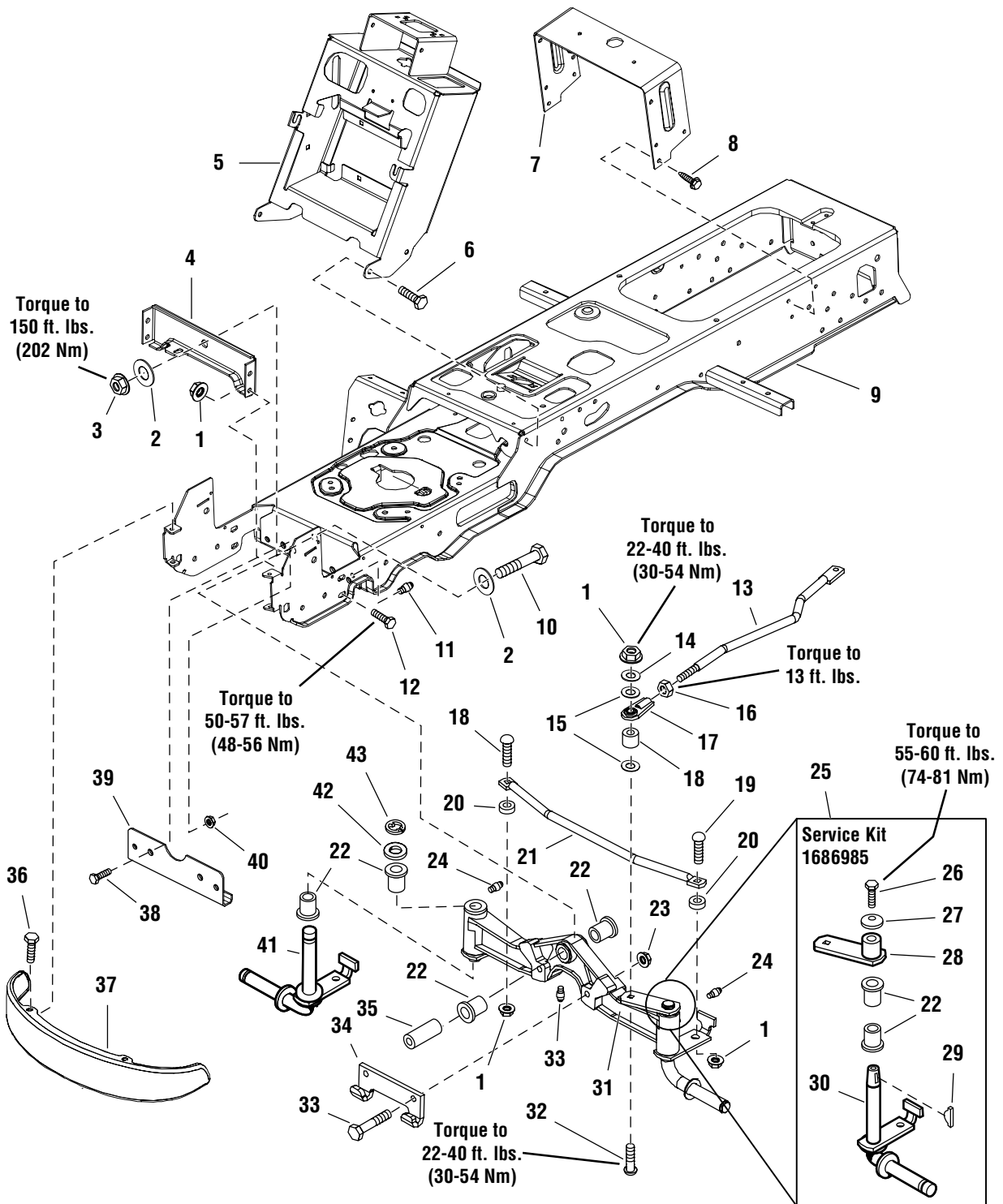
The above parts group applies to the following Mfg. Nos.:

1694670 - Baron XL
1694671 - Baron XL
1694672 - Baron XL
1694673 - Baron XL

Frame & Front Axle Group

986818

NOTE: Unless noted otherwise, use the standard hardware torque specification chart.



The above parts group applies to the following Mfg. Nos.:

- 1694670 - Baron XL
- 1694671 - Baron XL
- 1694672 - Baron XL
- 1694673 - Baron XL

Frame & Front Axle Group

REF NO	PART NO.	QTY.	DESCRIPTION
42	1919394	1	WASHER
43	932577	1	RETAINING RING

Footnotes

The above parts group applies to the following Mfg. Nos.:

1694670 - Baron XL

1694671 - Baron XL

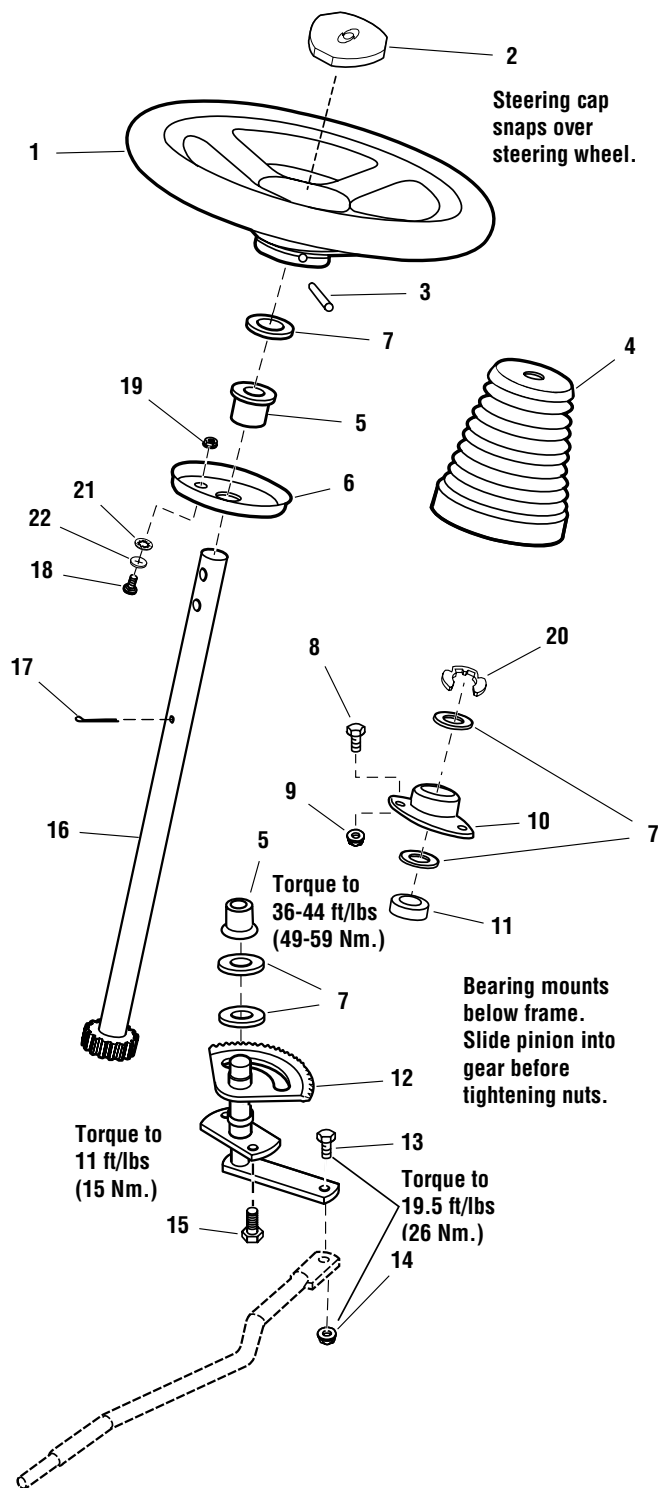
1694672 - Baron XL

1694673 - Baron XL

Steering Group

986091

NOTE: Unless noted otherwise,
use the standard hardware torque
specification chart.



The above parts group applies to the following Mfg. Nos.:

- 1694670 - Baron XL
- 1694671 - Baron XL
- 1694672 - Baron XL
- 1694673 - Baron XL

Steering Group

REF NO	PART NO.	QTY.	DESCRIPTION
1	1722318	1	STEERING WHEEL, Straight Shaft
2	1722319	1	CAP, Steering Wheel, Simplicity Logo
2	1725024	1	CAP, Steering Wheel, Plain
3	1960540	1	PIN, Spring
4	1722749	1	COVER, Black Rubber
5	176440	2	BUSHING
6	1721736	1	PLATE, Mounting Steering
7	1960114	5	WASHER
8	1933260	2	CAPSCREW, Hex Head Flange Lock, 3/8-16 x 3/4
9	1931211	2	NUT, Hex Whiz Lock, 3/8-16
10	1722459	1	BEARING, Flange
11	1722461	1	SPACER
12	1724470	1	GEAR & SHAFT ASSEMBLY
13	1960032	1	CAPSCREW, Hex Head, 3/8-16 x 1-1/4
14	1930645	1	NUT, Hex Flange Lock, 3/8-16
15	1664847	2	CAPSCREW, Hex Head Taptite, 5/16-18 x 3/4
16	1723604	1	SHAFT ASSEMBLY
17	1919314	1	PIN, Cotter
18	1931317	2	CARRIAGE BOLT, 1/4-20 x 3/4
19	928372	2	NUT, Hex, 1/4-20
20	1611710	1	RING, Clipping Extension
21	1960114	2	WASHER
22	1933988	2	NUT, Push, 5/16

Footnotes

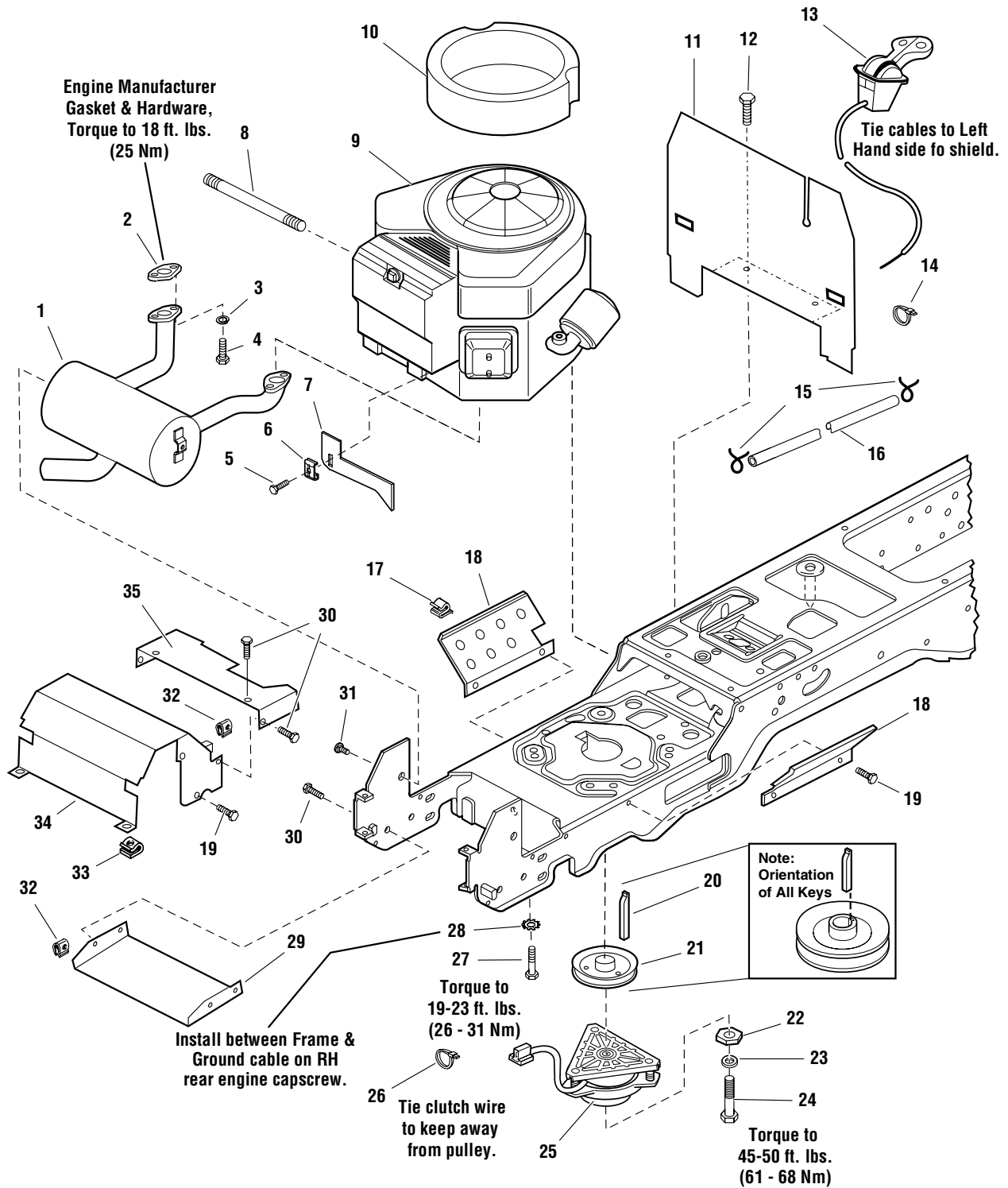
The above parts group applies to the following Mfg. Nos.:

1694670 - Baron XL
1694671 - Baron XL
1694672 - Baron XL
1694673 - Baron XL

Engine Group - 18HP & 20HP Briggs & Stratton, VANGUARD Twin

986833

NOTE: Unless noted otherwise, use the standard hardware torque specification chart.



The above parts group applies to the following Mfg. Nos.:

1694671 - Baron XL

1694673 - Baron XL

Engine Group - 18HP & 20HP Briggs & Stratton, VANGUARD Twin

REF NO	PART NO.	QTY.	DESCRIPTION
1	1722625	1	MUFFLER
2	*	1	GASKET
3	1917356	2	LOCKWASHER, 5/16
4	960660	2	CAPSCREW, Socket Head, 5/16-18 x 7/8, G8
5	1728125	1	SCREW, Pan Head Trox, #10-32 x 5/8
6	1728126	1	CLAMP, Throttle Cable
7	1727696	1	PLATE, Limiter RPM
8	1723165	1	HOSE, Oil Drain
9	*	1	ENGINE, 18HP Briggs & Stratton INTEK Twin, Model 356777, Type 0113E1
9	*	1	ENGINE, 20HP Briggs & Stratton INTEK Twin, Model 358777, Type 0110E1
10	1722949	1	SEAL, Circle
11	1722388	1	BULKHEAD
12	1925003	2	CAPSCREW, Hex Head Taptite, 1/4-20 x 1/2
13	1727223	1	CONTROL, Throttle Double 39" Long w/Knobs
14	925094	1	TIE
15	960112	2	CLAMP, Hose Type E
16	1723165	1	HOSE, 59" Long
17	934683	2	CLIP, Wire
18	1722392	2	SHIELD
19	1929000	8	SCREW, Hex Head Taptite, 1/4-20 x 3/8
20	1720463	1	KEY
21	1722288	1	PULLEY & HUB ASSEMBLY, 4-1/2 OD
22	1708264	1	WASHER, Hex
23	1918199	1	LOCKWASHER, 7/16
24	1960648	1	CAPSCREW, Hex Head, 7/16-20 x 2-3/4
25	1720532	1	CLUTCH, Electric, OGURA
26	932747	1	TIE
27	930598	4	CAPSCREW, Hex Head Taptite, 3/8-16 x 1-1/2
28	920427	1	LOCKWASHER, External Tooth, 3/8
29	1722414	1	SHIELD, Muffler Bottom
30	1960295	8	CAPSCREW, Hex Head Flange Lock, 1/4-20 x 5/8
31	1924856	2	CAPSCREW, Hex Head Taptite, 5/16-18 x 1/2
32	1960368	8	NUT, Speed, 1/4-20
33	1935255	2	NUT, Speed, 5/16-18
34	1722389	1	DUCT, Muffler Top
35	1722390	1	DUCT, Muffler Extension

Footnotes

* See your local Briggs & Stratton distributor for parts and service.

The above parts group applies to the following Mfg. Nos.:

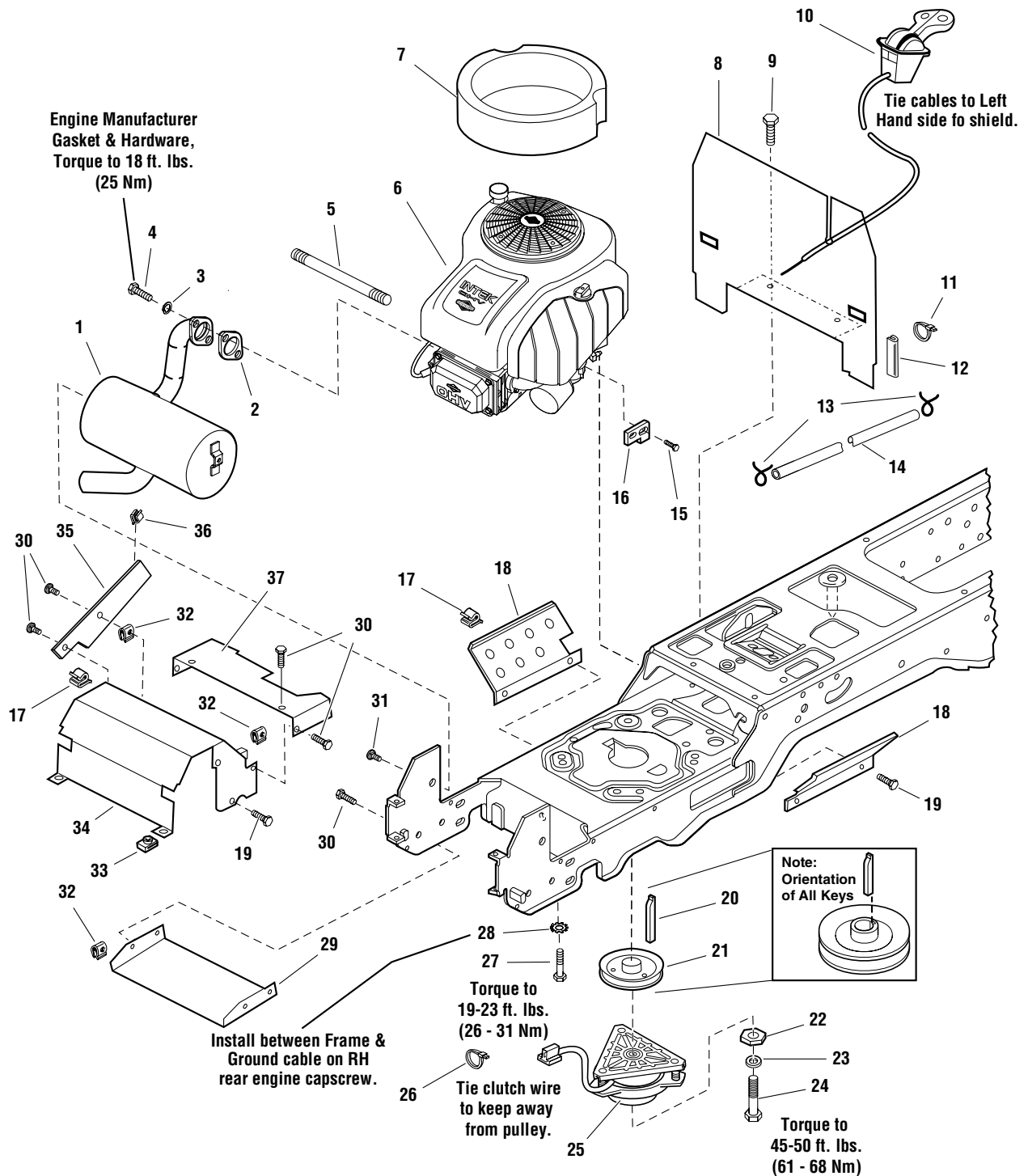
1694671 - Baron XL

1694673 - Baron XL

Engine Group - 18HP Briggs & Stratton, INTEK Single

986722

NOTE: Unless noted otherwise,
use the standard hardware torque
specification chart.



The above parts group applies to the following Mfg. Nos.:

1694670 - Baron XL

1694672 - Baron XL

Engine Group - 18HP Briggs & Stratton, INTEK Single

REF NO	PART NO.	QTY.	DESCRIPTION
1	1723467	1	MUFFLER
2	*	2	GASKET
3	1917356	4	LOCKWASHER, 5/16
4	960660	4	CAPSCREW, Socket Head, 5/16-18 x 7/8, G8
5	1723165	1	HOSE, Oil Drain
6	*	1	ENGINE, 18HP Briggs & Stratton INTEK Single, Model 31H777, Type 0118E1
7	1722950	1	SEAL, Circle
8	1722388	1	BULKHEAD
9	1925003	2	CAPSCREW, Hex Head Taptite, 1/4-20 x 1/2
10	1724013	1	CONTROL, Throttle/Choke
11	925094	1	TIE
12	1723894	1	EDGING, Rubber
13	960112	2	CLAMP, Hose Type E
14	1723174	1	HOSE, 59" Long
15	1726466	1	SCREW, Trox Head Taptite, #8-32 x 1/2
16	1726465	1	PLATE, Limiter RPM
17	934683	2	CLIP, Wire
18	1722392	2	SHIELD
19	1929000	3	SCREW, Hex Head Taptite, 1/4-20 x 3/8
20	1720463	1	KEY
21	1722288	1	PULLEY & HUB ASSEMBLY, 4-1/2 OD
22	1708264	1	WASHER, Hex
23	1918199	1	LOCKWASHER, 7/16
24	1960648	1	CAPSCREW, Hex Head, 7/16-20 x 2-3/4
25	1720532	1	CLUTCH, Electric, OGURA
26	932747	1	TIE
27	930598	4	CAPSCREW, Hex Head Taptite, 3/8-16 x 1-1/2
28	920427	1	LOCKWASHER, External Tooth, 3/8
29	1722414	1	SHIELD, Muffler Bottom
30	1960295	6	CAPSCREW, Hex Head Flange Lock 1/4-20 x 5/8
31	1924856	2	CAPSCREW, Hex Head Taptite, 5/16-18 x 1/2
32	1960368	5	NUT, Speed, 1/4-20
33	1935255	2	NUT, Speed, 5/16-18
34	1722389	1	DUCT, Muffler Top
35	1723897	1	GUARD, Manifold Pipe
36	172434	1	CLIP, Wire

Footnotes

* See your local Kohler distributor for parts and service.

The above parts group applies to the following Mfg. Nos.:

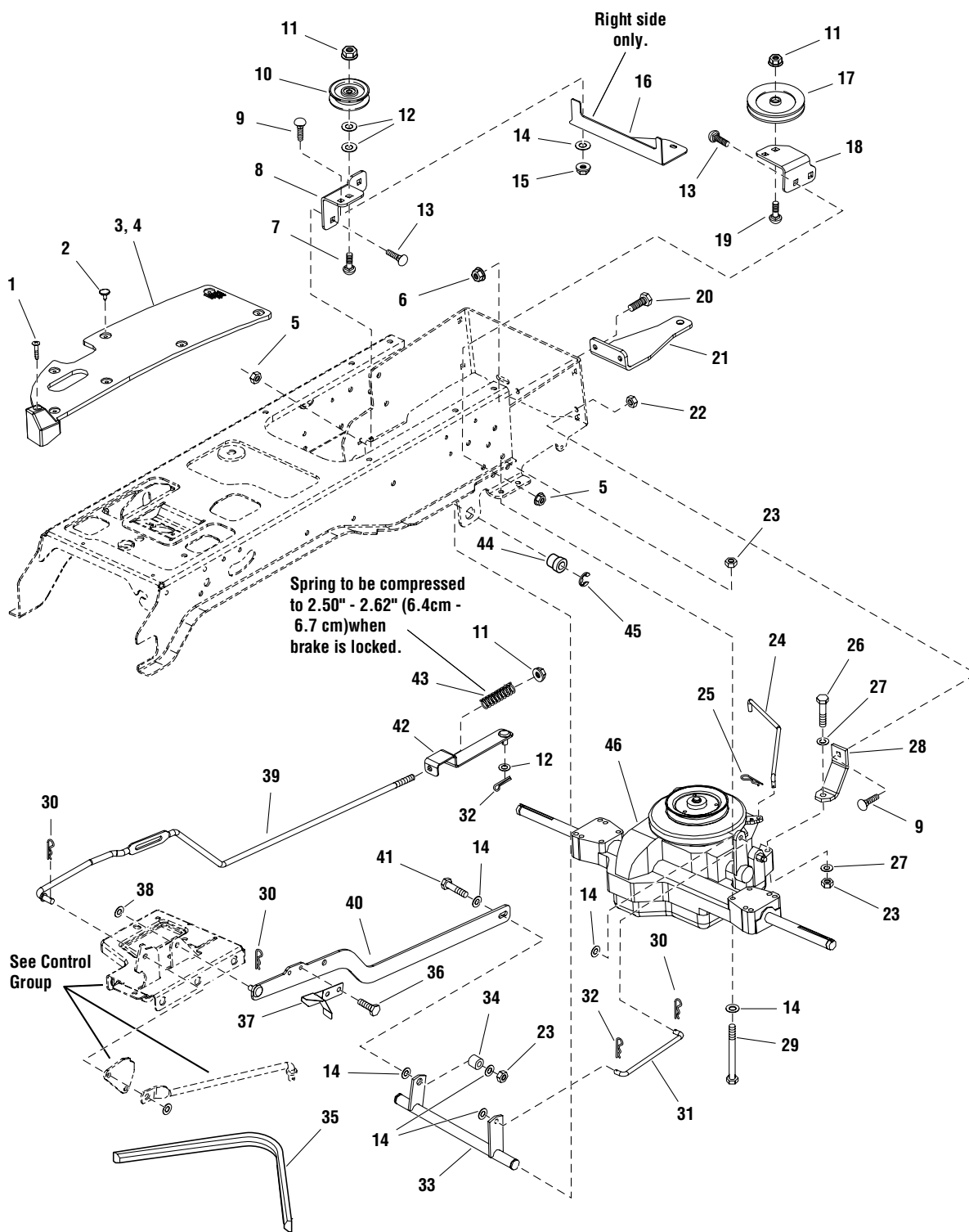
1694670 - Baron XL

1694672 - Baron XL

Transmission Group - Tuff Torq K-46BF

986828

NOTE: Unless noted otherwise,
use the standard hardware torque
specification chart.



The above parts group applies to the following Mfg. Nos.:

- 1694670 - Baron XL
- 1694671 - Baron XL
- 1694672 - Baron XL
- 1694673 - Baron XL

Transmission Group - Tuff Torq K-46BF

REF NO	PART NO.	QTY.	DESCRIPTION
1	1960676	2	SCREW, Pan Head Torx Taptite, 1/4-20 x 1-1/4
2	1704351	15	FASTENER, Panel 3/4 Head
3	1722173	1	PAD, Footrest, RH Black Vinyl Textured
4	1722174	1	PAD, Footrest with Differential Lock, LH Black Vinyl Textures
5	1960637	4	NUT, Hex KEPS, 3/8-16
6	1928352	2	NUT, Hex Flange, 3/8-16 Whiz Lock Large
7	1931353	1	CARRIAGE BOLT, 3/8-16 x 1-3/4 G5
8	1726052	1	SUPPORT, Idler, RH
9	1931333	3	CARRIAGE BOLT, 5/16-18 x 3/4 G5
10	174561	1	PULLEY, 3 in.
11	1960687	3	NUT, Hex Flange 3/8-16 ESNA
12	1922755	3	WASHER, 3/4
13	1931350	4	CARRIAGE BOLT, 3/8-16 x 1 G5
14	1919326	10	WASHER, 5/16
15	1960684	2	NUT, Hex KEPS, 5/16-18 Conical Washer
16	1727431	1	BRACKET, Chute Locator
17	1710545	1	PULLEY, Idler, 4 in.
18	1726053	1	SUPPORT, Idler, LH
19	1931352	1	CARRIAGE BOLT, 3/8-16 x 1-1/2 G5
20	1921210	2	CAPSCREW, Hex Head, 3/8-16X1.000 G5 BLK
21	1727400	1	DRAWBAR, 1/4 in. Thick
22	1960636	1	NUT, Hex KEPS, 5/16-18
23	1919438	6	NUT, Hex Lock ESNA Light, 5/16-18NC-3B
24	1727526	1	ROD, Transmission Release
25	1960221	1	CLIP, Hair Pin Spring
26	1921978	1	CAPSCREW, Hex Head, 5/16-18 x 2 G5
27	1960141	2	WASHER, 5/16
28	1726055	1	STRAP, Torque, 1/4 Thick 4 in. Long
29	1923141	4	CAPSCREW, Hex Head, 5/16-18 x 2-3/4 G5
30	1722460	3	PIN, Quick
31	1723045	1	ROD, Control
32	1918447	2	PIN, Cotter
33	1727552	1	SHAFT & ARMS ASSEMBLY, Control
34	1666697	1	SPACER, Powered Metal
35	1727407	1	V-BELT, Drive Belt
36	1924856	2	CAPSCREW, Hex Washer Head Taptite, 5/16-18 x 1/2
37	1727215	1	ACTUATOR, Switch
38	1924940	1	WASHER, 3/8
39	1726057	1	ROD, Brake
40	1727473	1	ARM & PIN ASSEMBLY, Speed Control
41	1921333	1	CAPSCREW, Hex Head, 5/16-18 x 1 G5
42	1723267	1	BRACKET & PIN ASSEMBLY, Brake

Footnotes

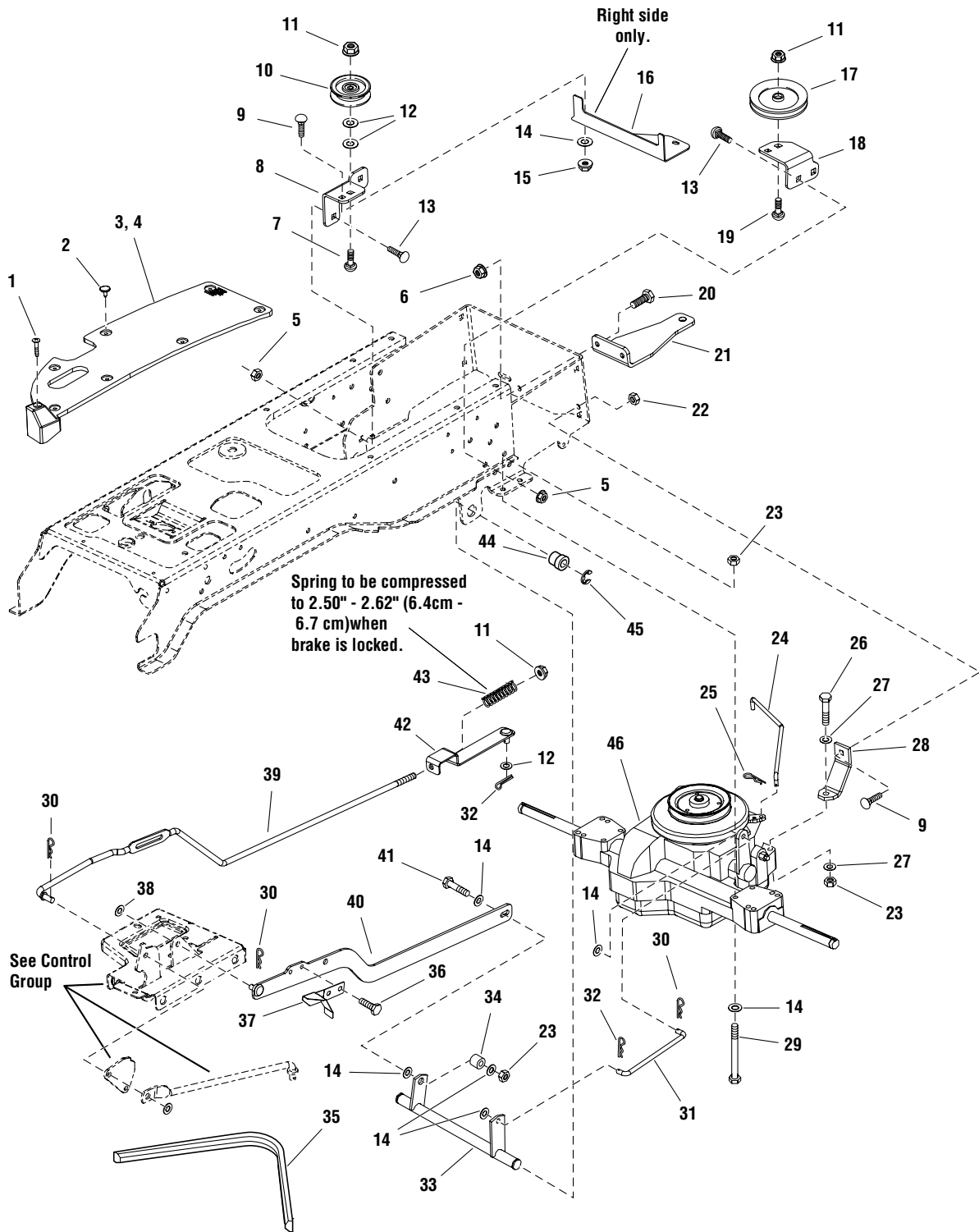
The above parts group applies to the following Mfg. Nos.:

1694670 - Baron XL
1694671 - Baron XL
1694672 - Baron XL
1694673 - Baron XL

Transmission Group - Tuff Torq K-46BF

986828

NOTE: Unless noted otherwise,
use the standard hardware torque
specification chart.



The above parts group applies to the following Mfg. Nos.:

- 1694670 - Baron XL
- 1694671 - Baron XL
- 1694672 - Baron XL
- 1694673 - Baron XL

Transmission Group - Tuff Torq K-46BF

REF NO	PART NO.	QTY.	DESCRIPTION
43	8191045	1	SPRING, Compression
44	176440	2	BUSHING, Nylon
45	927794	2	RING, E Retaining
46	1727712	1	TRANSMISSION ASAEMBLY, Tuff Torq K46BF

Footnotes

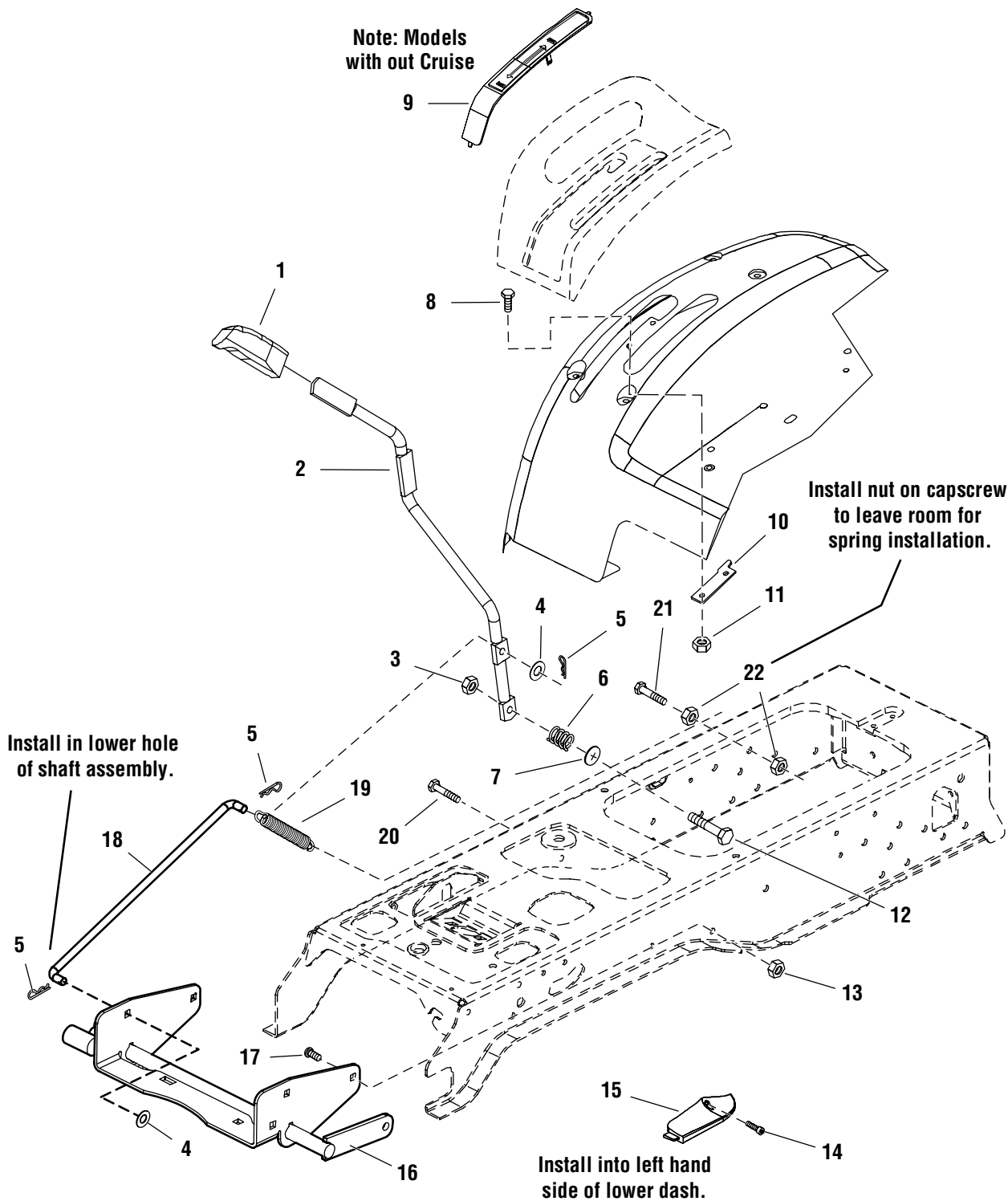
The above parts group applies to the following Mfg. Nos.:

1694670 - Baron XL
1694671 - Baron XL
1694672 - Baron XL
1694673 - Baron XL

Lift Group

986811

NOTE: Unless noted otherwise, use the standard hardware torque specification chart.



The above parts group applies to the following Mfg. Nos.:

- 1694670 - Baron XL
- 1694671 - Baron XL
- 1694672 - Baron XL
- 1694673 - Baron XL

Lift Group

REF NO	PART NO.	QTY.	DESCRIPTION
1	1722302	1	GRIP, Black Vinyl
2	1722024	1	ROD, Lift Lever
3	1930645	1	NUT, Hex Flange Lock, 3/8-16
4	1924940	2	WASHER
5	1722460	2	PIN, Quick
6	162085	1	SPRING, Compression
7	1723866	1	NUT, Push, 3/8
8	1923341	2	CAPSCREW, Hex Head, 1/4-20 x 3/4
9	1722313	1	COVER, W/Lift Icon, models without cruise
10	1722284	1	QUADRANT
11	1920397	2	NUT, Hex Lock ESNA, 1/4-20
12	1923701	1	CAPSCREW, Hex Head, 3/8-16 x 2
13	1960636	4	NUT, KEPS Lock, 5/16-18
14	1722607	1	SCREW, Torx Head, # 8-16 x 1/2
15	1722285	1	COVER, Dash, modles without cruise
16	1726404	1	LIFT SHAFT ASSEMBLY
17	1931333	1	CARRIAGE BOLT, 5/16-18 x 3/4
18	1725037	1	ROD, Lift
19	156302	1	SPRING, Extension
20	1921977	1	CAPSCREW, Hex Head, 5/16-18 x 1-1/4
21	1921971	1	CAPSCREW, Hex Head, 3/8-16 x 1-3/4
22	1960680	2	NUT, KEPS Lock, 3/8-16

Footnotes

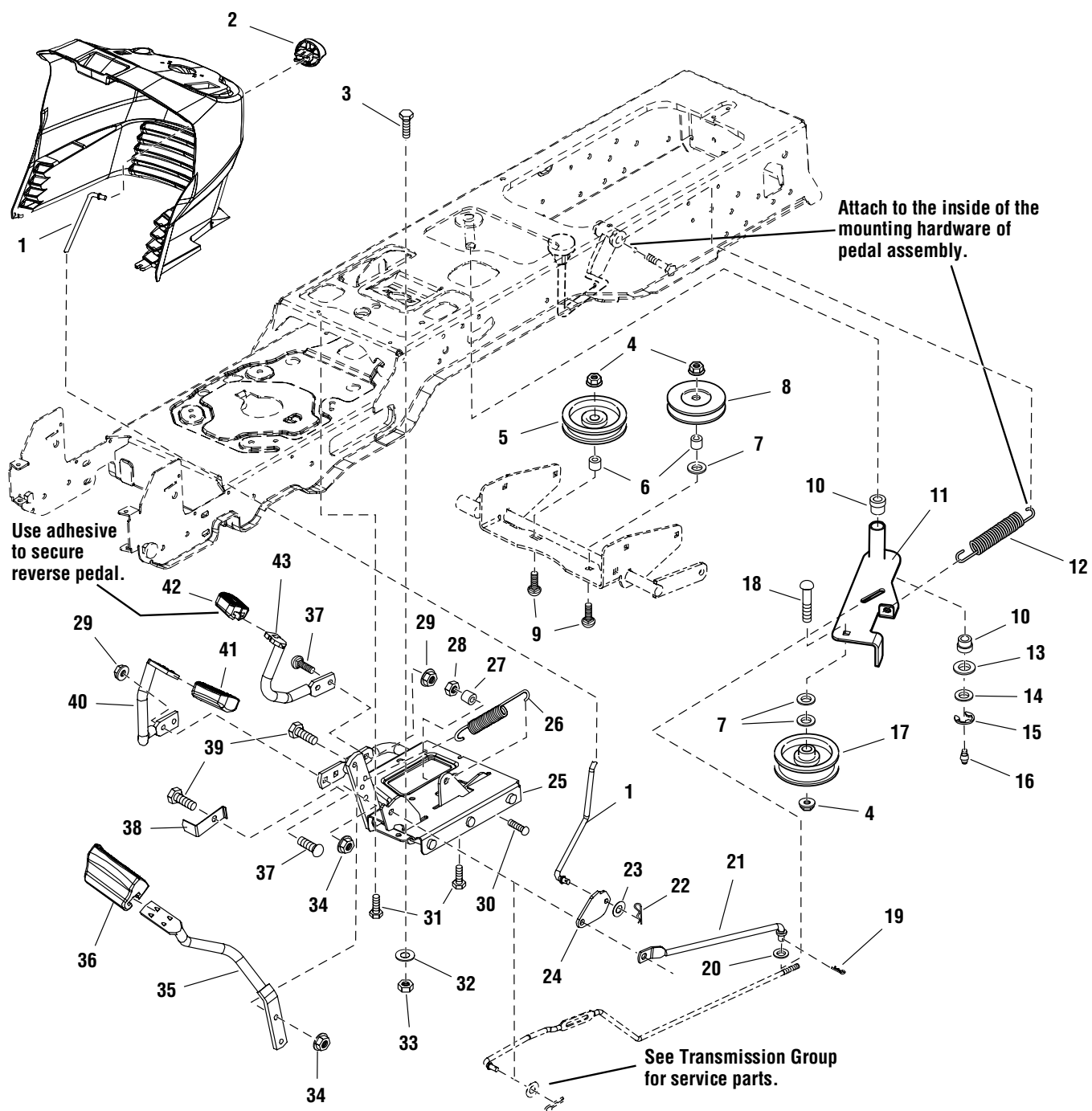
The above parts group applies to the following Mfg. Nos.:

1694670 - Baron XL
1694671 - Baron XL
1694672 - Baron XL
1694673 - Baron XL

Controls Group

986819

NOTE: Unless noted otherwise, use the standard hardware torque specification chart.



The above parts group applies to the following Mfg. Nos.:

- 1694670 - Baron XL
- 1694671 - Baron XL
- 1694672 - Baron XL
- 1694673 - Baron XL

Controls Group

REF NO	PART NO.	QTY.	DESCRIPTION
1	1721353	1	ROD, Brake
2	1721891	1	KNOB, Push On, Red
3	1930591	1	CAPSCREW, Hex Head Flange Lock, 5/16-18 x 3/4
4	1960687	3	NUT, Hex Flange, 3/8-16 ESNA
5	1721134	1	PULLEY ASSEMBLY, 3 OD, W/Bearing
6	1667811	2	SPACER
7	1922755	3	WASHER, 3/8
8	1710545	1	PULLEY, Idler 4 OD
9	1960315	2	CARRIAGE BOLT, 3/8-16 x 2 G5
10	1663114	2	BUSHING
11	1727370	1	ARM & HUB ASSEMBLY, Idler
12	1727910	1	SPRING, Extension
13	1960020	1	WASHER, 5/8
14	1924366	1	WASHER, 5/8
15	1704420	1	RING, Clipping
16	1704314	1	FITTING, Lube, 1/4 Ball Check
17	1710539	1	PULLEY, Idler 3-1/4 OD
18	1960315	1	CARRIAGE BOLT, 3/8-16 x 2 G5
19	1918447	1	PIN, Cotter
20	1924940	1	WASHER
21	1727408	1	ROD, Brake (Flat Ends)
22	1722460	1	PIN, Quick
23	1919326	1	WASHER
24	1721354	1	LATCH, Brake
25	1726763	1	CONTROL ASSEMBLY, Foot Pedal
26	1721995	1	SPRING, Extension
27	1686612	1	CAM, Roller
28	1920397	1	NUT, Hex Lock ESNA, 1/4-20
29	1960636	4	NUT, Hex KEPS, 5/16-18
30	1931320	1	CARRIAGE BOLT, 1/4-20 x 1-1/4
31	1664847	3	CAPSCREW, Hex head Washer Taptite, 5/16-18 x 3/4
32	1919381	1	WASHER
33	1919438	1	NUT, Hex Lock ESNA, 5/16-18
34	1927557	3	NUT, Hex Flange Lock, 5/16-18
35	1722535	1	PEDAL, Brake
36	1721577	1	PAD, Brake Pedal
37	1931334	4	CARRIAGE BOLT, 5/16-18 x 7/8
38	1722083	1	ACTUATOR, Switch
39	1921333	3	CAPSCREW, Hex Head, 5/16-18 x 1
40	1722070	1	PEDAL, Forward
41	1721675	1	PAD, Foot Pedal Forward
42	1721674	1	PAD, Foot Pedal Reverse

Footnotes

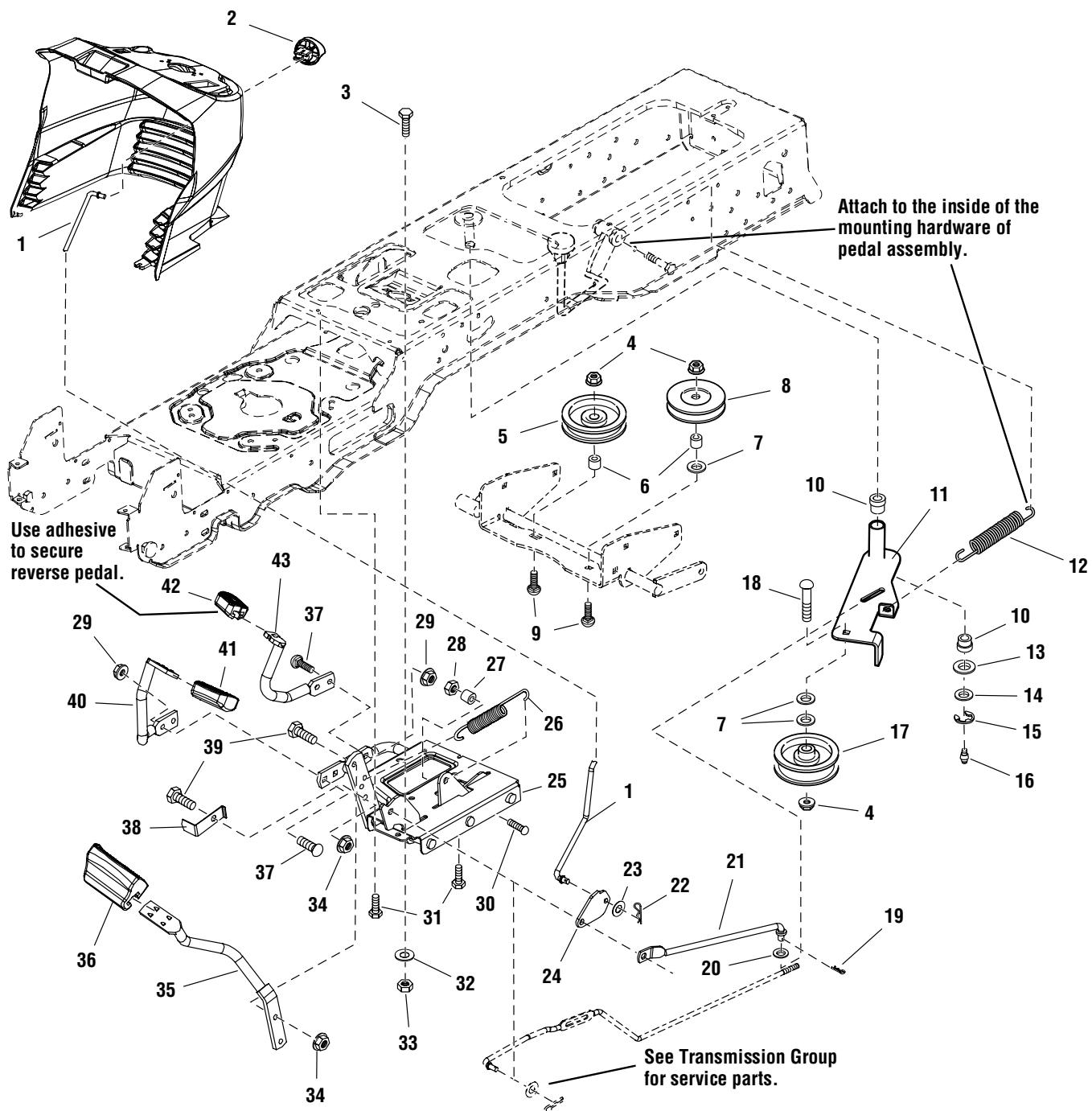
The above parts group applies to the following Mfg. Nos.:

1694670 - Baron XL
1694671 - Baron XL
1694672 - Baron XL
1694673 - Baron XL

Controls Group

986819

NOTE: Unless noted otherwise,
use the standard hardware torque
specification chart.



The above parts group applies to the following Mfg. Nos.:

- 1694670 - Baron XL
- 1694671 - Baron XL
- 1694672 - Baron XL
- 1694673 - Baron XL

Controls Group

REF NO	PART NO.	QTY.	DESCRIPTION
43	1722071	1	PEDAL, Reverse

Footnotes

The above parts group applies to the following Mfg. Nos.:

1694670 - Baron XL

1694671 - Baron XL

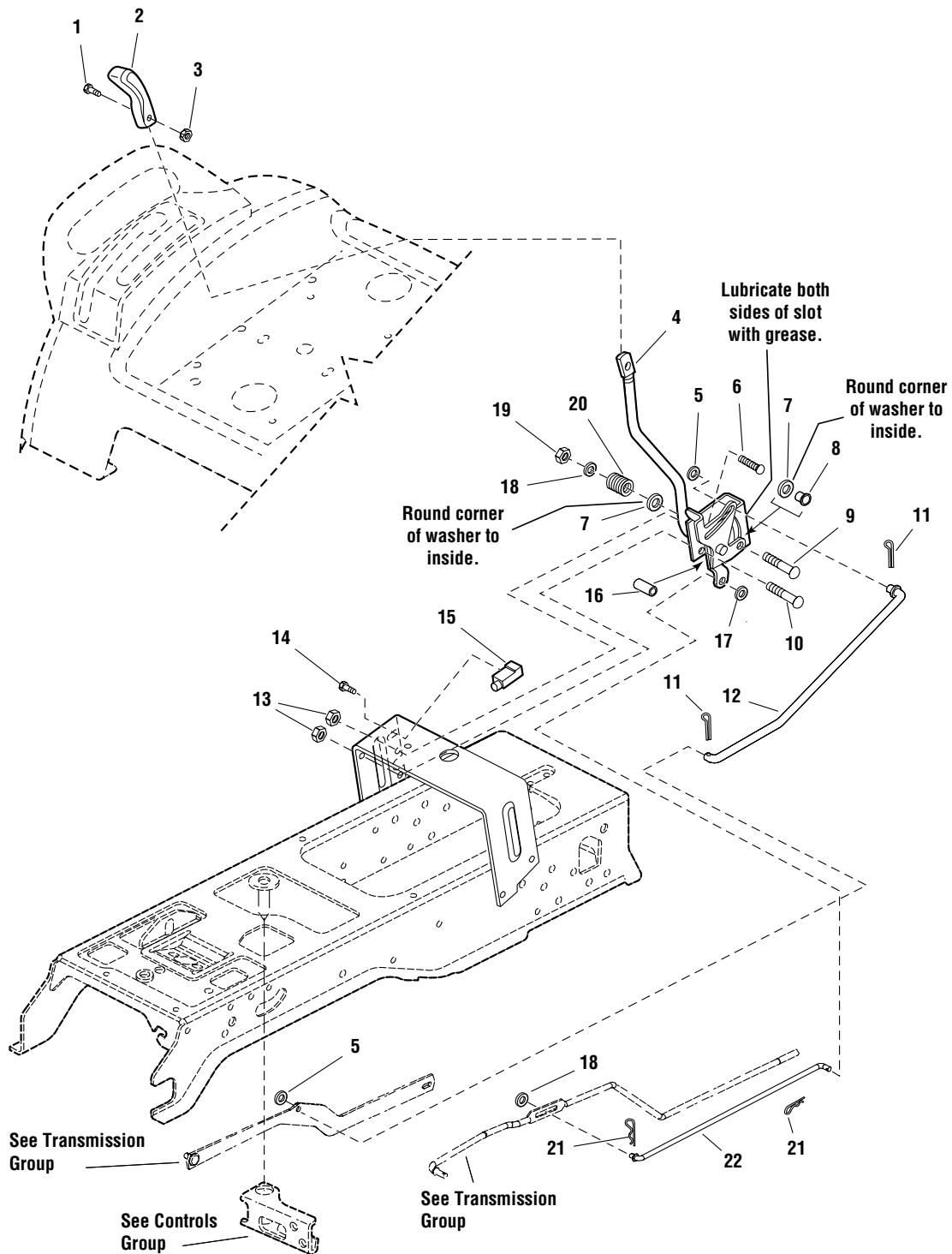
1694672 - Baron XL

1694673 - Baron XL

Cruise Control Group

986814

NOTE: Unless noted otherwise,
use the standard hardware torque
specification chart.



The above parts group applies to the following Mfg. Nos.:

1694671 - Baron XL

1694673 - Baron XL

Cruise Control Group

REF NO	PART NO.	QTY.	DESCRIPTION
1	1960666	1	CAPSCREW, Torx Socket Head, 1/4-20 x 7/8
2	1722303	1	KNOB, Cruise
3	1920397	1	NUT, Hex ESNA Lock, 1/4-20
4	1723258	1	LEVER & BRACKET ASSEMBLY, Cruise
5	1960103	3	WASHER
6	1931333	1	CARRIAGE BOLT, 5/16-18 x 3/4
7	926192	2	WASHER, 9/16 x 1-1/4 x 1/8
8	1709043	1	SPACER
9	1931342	1	CARRIAGE BOLT, 5/16-18 x 2-3/4
10	1960273	1	CARRIAGE BOLT, 5/16-18 x 2-1/4
11	1918447	2	PIN, Cotter
12	1726059	1	ROD, Cruise
13	1960636	2	NUT, Hex KEPS, 5/16-18
14	1960001	2	CAPSCREW, Hex Head Plastite, 10-14 x 5/8
15	1717050	1	SWITCH, Push, Neutral Start, Gray
16	1722080	1	SPACER
17	1919326	1	WASHER
18	1919381	2	WASHER
19	1919438	1	NUT, Hex ESNA Lock, 5/16-18
20	1677746	1	SPRING, Compression
21	1722460	2	PIN, Quick
22	1723099	1	ROD, Cruise Return

Footnotes

The above parts group applies to the following Mfg. Nos.:

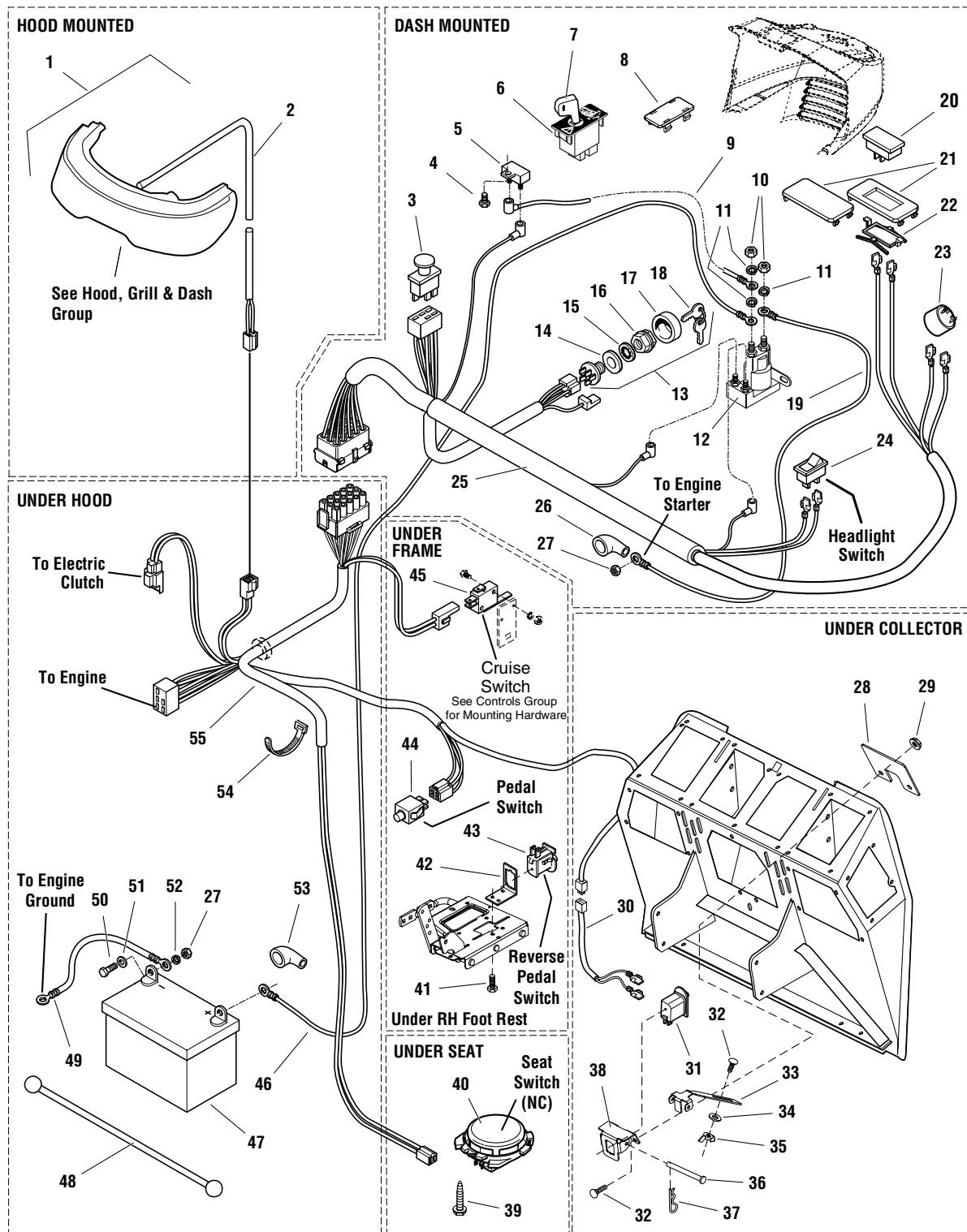
1694671 - Baron XL

1694673 - Baron XL

Electrical Group

986631

NOTE: Unless noted otherwise, use the standard hardware torque specification chart.



The above parts group applies to the following Mfg. Nos.:

- 1694670 - Baron XL
- 1694671 - Baron XL
- 1694672 - Baron XL
- 1694673 - Baron XL

Electrical Group

REF NO	PART NO.	QTY.	DESCRIPTION
1	1721810	1	HEADLIGHT ASSEMBLY, 4 Bulb
2	1722669	1	HARNESS, Headlight
3	1722887	1	SWITCH, PTO Push/Pull w/Symbols
4	1921959	1	CAPSCREW, Hex Head, 1/4 x 5/8
5	1722739	1	SOLENOID
6	1726556	1	SWITCH, Reverse Pedal
7	1726557	1	KEY, RMO Module Plastic
7	1727185	1	KEY, w/Hang Tag for RMO Module
8	1722611	1	PLUG, Hole Black
9	1665237	1	WIRE, 12GA 8 Long Red
10	920426	3	LOCKWASHER, External Tooth 5/16
11	1665238	1	BREAKER, Circuit 12VOLT 20AMPS w/Tab
12	916622	3	NUT, Hex, 1/4-20 NC-2B
13	1716061	1	SWITCH ASSEMBLY, Ingition, 6 Pin Indak (Includes Ref. Nos. 14 thru 18)
14	101025	1	WASHER, 5/8
15	1960547	1	LOCKWASHER, Internal Tooth, 5/8
16	1717549	1	NUT, Hex Flange, 5/8-32 Ignition Switch
17	1717550	1	COVER, Ignition Switch, Black
18	1717163	1	KEYS, Ignition Set of 2
19	1721830	1	CABLE, # 6 x 25 Long Red, 2 Ring Terminals
20	1725523	1	METER, Hour Digital w/Oil & Lube Alarms
21	1725524	1	PLUG, Dash, Hour Meter
21	1725698	1	PLUG, Dash, No Hour Meter Hole
22	1725835	1	CLIP, Hour Meter, Holds In Daash
23	1720117	1	BUZZER, Pulse, Grass Bag Full
24	1716951	1	SWITCH, Headlights, 2 Terminal
25	1726890	1	HARNESS, Wiring Upper
26	1677296	1	BOOT, Insulator, Battery Terminal
27	920263	2	NUT, Hex, 5/16-24 NF-2B
28	1727776	1	DEFLECTOR, Switch 14GA
29	1960685	2	NUT, Hex KEPS Conical Washer, 1/4-20
30	1723954	1	HARNESS, Wiring Rear
31	1720411	1	SWITCH, Push Button w/Boot, Bagger
32	1960252	3	CARRIAGE BOLT, 1/4-20 x 5/8 G5
33	1727428	1	PIVOT, Actuator 14GA, E-Coat
34	1960103	1	WASHER, 3/8
35	960293	1	NUT, Wing Lock, 1/4-20
36	1960607	1	PIN, Clevis
37	1960221	1	CLIP, Hair Pin
38	1727427	1	SUPPORT, Actuator 14GA, E-Coat
39	1960536	2	SCREW, Hex Washer Head Plastite, 1/4 x 1/2
40	1716368	1	SWITCH, Operator Presents, Seat

Footnotes

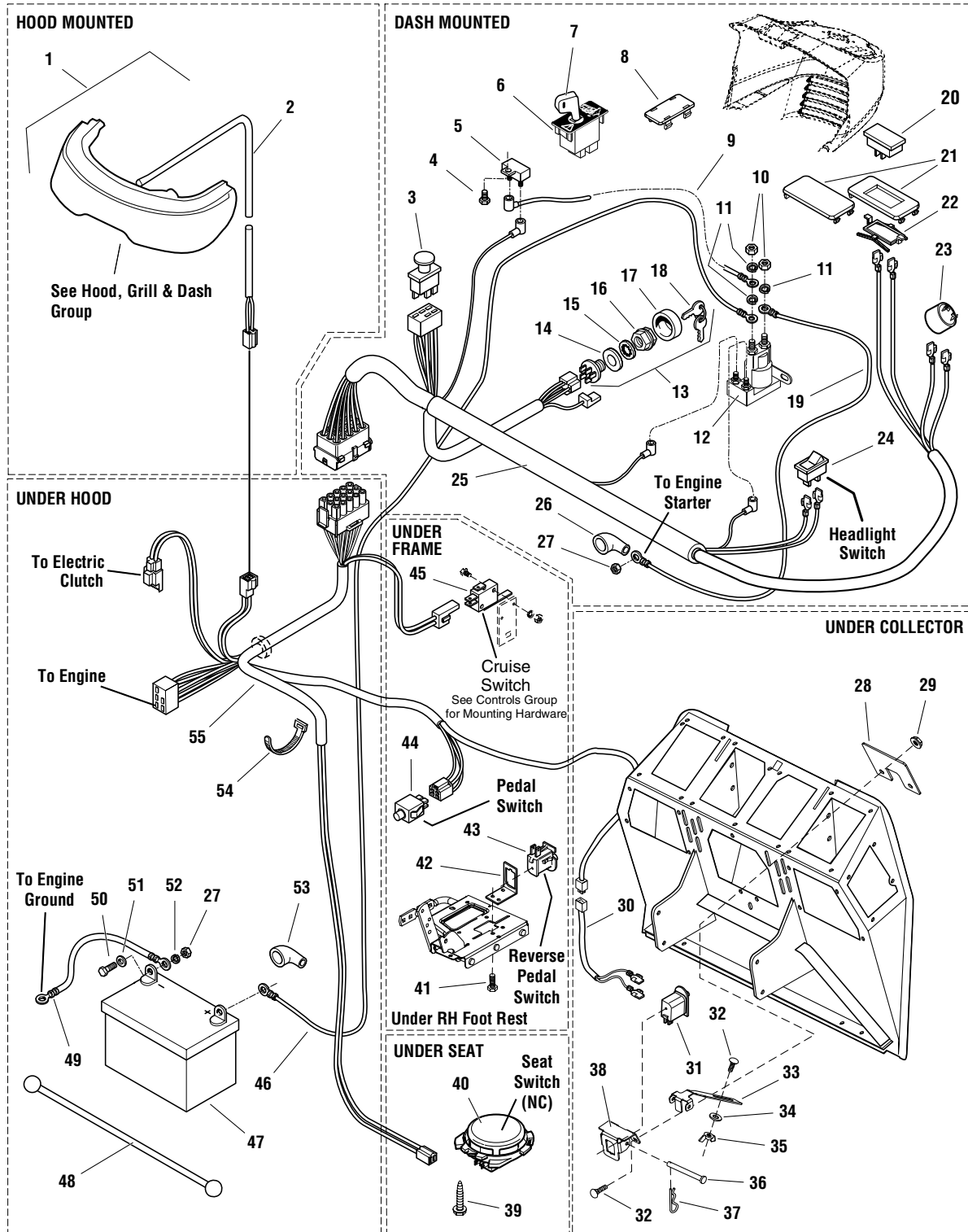
The above parts group applies to the following Mfg. Nos.:

1694670 - Baron XL
1694671 - Baron XL
1694672 - Baron XL
1694673 - Baron XL

Electrical Group

986631

NOTE: Unless noted otherwise, use the standard hardware torque specification chart.



The above parts group applies to the following Mfg. Nos.:

- 1694670 - Baron XL
- 1694671 - Baron XL
- 1694672 - Baron XL
- 1694673 - Baron XL

Electrical Group

REF NO	PART NO.	QTY.	DESCRIPTION
41	1929000	1	SCREW, Hex Washer Head Taptite, 1/4-20 x 3/8
42	1726810	1	BRACKET, Switch Mounting, RMO
43	1704379	2	SWITCH, Push Button, Reverse Pedal
44	1723507	1	SWITCH, Push Button, Foot Pedal
45	1717050	1	SWITCH, Push Button, Cruise Control
46	1603618	1	CABLE, # 6 x 9 Long, 2 Ring Terminals
47	1685215	1	BATTERY, 12VOLT 6CELL 230AMPS CCA
48	1722009	1	STRAP, Battery 14 Long, Black Rubber
49	1713163	1	CABLE, # 6 x 26 Long Black, 2 Ring Terminals
50	923341	2	CAPSCREW, Hex Head, 1/4-20 x 3/4 G5
51	921319	2	WASHER, 1/4
52	916964	2	LOCKWASHER, Spring 1/4
53	1713535	1	BOOT, Insulator Red, Cable Terminal
54	925094	4	TIE, Self Locking, 7-5/16
55	1726889	1	HARNESS, Wiring Lower

Footnotes

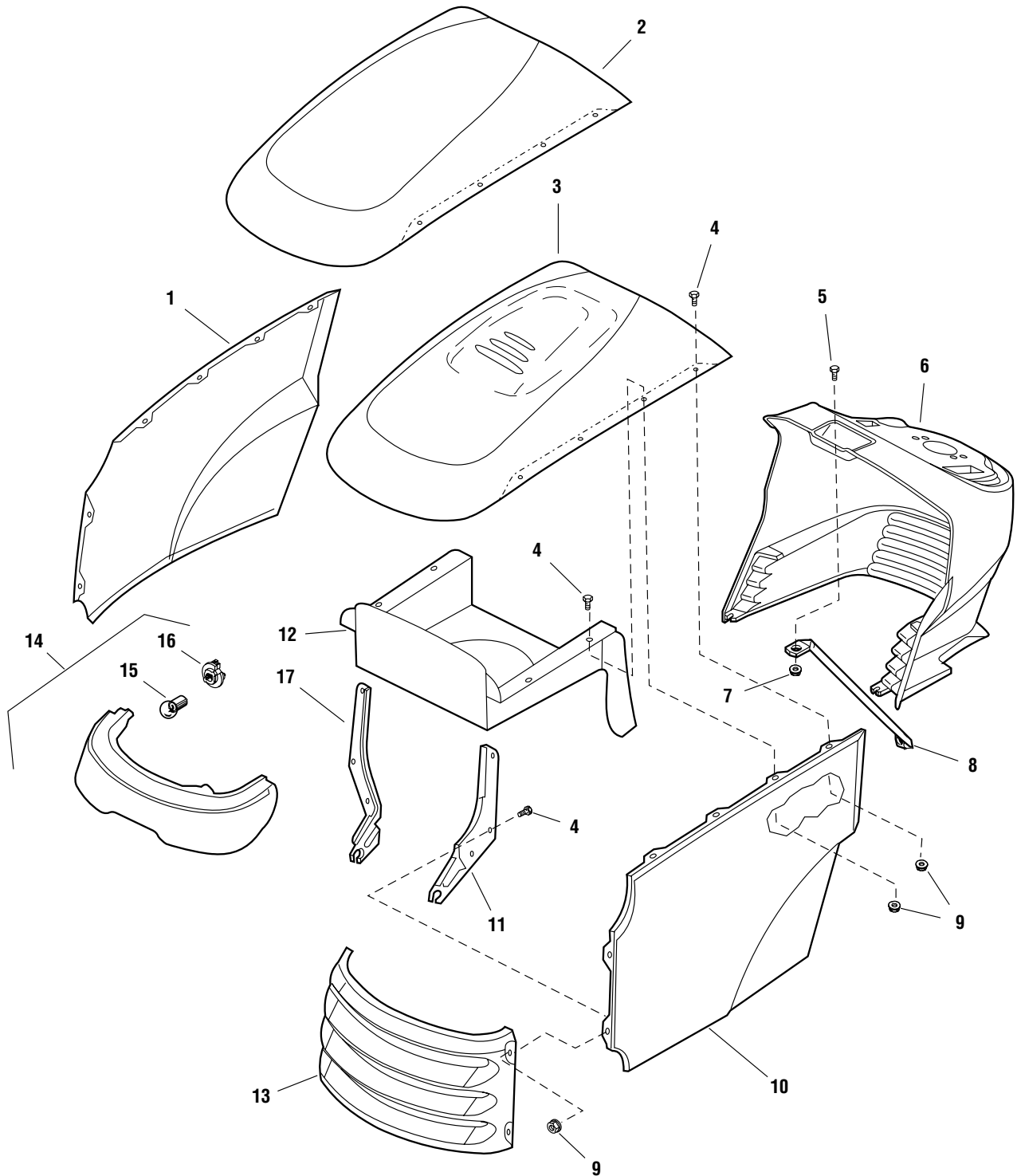
The above parts group applies to the following Mfg. Nos.:

1694670 - Baron XL
1694671 - Baron XL
1694672 - Baron XL
1694673 - Baron XL

Hood, Grille & Dash Group

986611

NOTE: Unless noted otherwise,
use the standard hardware torque
specification chart.



The above parts group applies to the following Mfg. Nos.:

1694670 - Baron XL

1694671 - Baron XL

1694672 - Baron XL

1694673 - Baron XL

Hood, Grille & Dash Group

REF NO	PART NO.	QTY.	DESCRIPTION
1	1721804	1	PANEL, RH Side
1	1729319	1	PANEL, RH Side, Red
2	1721801	1	HOOD, no Louvers
2	1729316	1	HOOD, no Louvers, Red
3	1722110	1	HOOD, with Louvers
3	1729324	1	HOOD, with Louvers, Red
4	1960295	12	CAPSCREW, Hex Head Flange Lock, 1/4-20 x 5/8
5	1960392	1	SCREW, Phillips Head, #10-24 x 1/2
6	1687056	1	DASHBOARD, RMO with Buzzer Hole, Black
7	1933896	1	NUT, Hex Nylock, #10-24
8	1723123	1	ROD, Dash Support
9	1930641	12	NUT, Hex Flange Lock, 1/4-20
10	1721803	1	PANEL, LH Side
10	1729318	1	PANEL, LH Side, Red
11	1721808	1	HINGE, LH
12	1722391	1	DUCT, Air Inlet
13	1721802	1	GRILLE
13	1729317	1	GRILLE, Red
14	1721810	1	HEADLIGHT ASSEMBLY, (Includes Ref. Nos. 15 & 16)
15	1677371	4	BULB, Headligh
16	1723451	4	SOCKET, Headlight
17	1721809	1	HINGE, RH

Footnotes

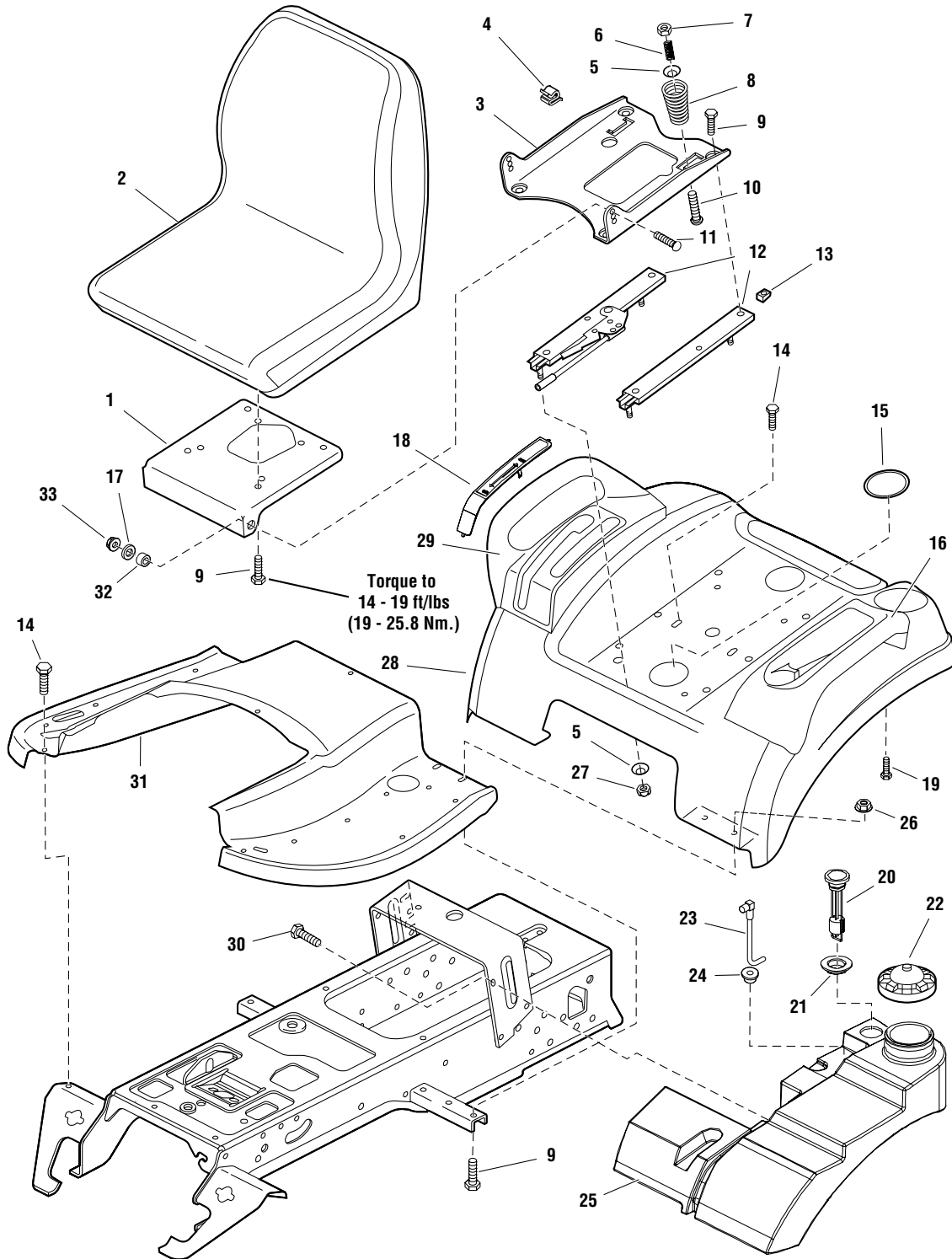
The above parts group applies to the following Mfg. Nos.:

1694670 - Baron XL
1694671 - Baron XL
1694672 - Baron XL
1694673 - Baron XL

Seat Deck & Fuel Tank Group

986812

NOTE: Unless noted otherwise,
use the standard hardware torque
specification chart.



The above parts group applies to the following Mfg. Nos.:

- 1694670 - Baron XL
- 1694671 - Baron XL
- 1694672 - Baron XL
- 1694673 - Baron XL

Seat Deck & Fuel Tank Group

REF NO	PART NO.	QTY.	DESCRIPTION
1	1722129	1	BRACKET, Seat
2	1722306	1	SEAT, 15" Back, Simplicity Logo
3	1722128	1	SUPPORT, Seat
4	172434	1	CLIP, Wire
5	1709256	6	WASHER, Spring
6	1714263	2	SPRING, Compression
7	1919438	2	NUT, Hex Lock ESNA, 5/16-18
8	1717051	2	SPRING, Compression
9	1960667	12	CAPSCREW, Hex Head Dog Point, 5/16-18 x 3/4
10	1931339	2	CARRIAGE BOLT, 5/16-18 x 2
11	1931350	2	CARRIAGE BOLT, 3/8-16 x 1
12	1722356	1	SLIDE, Seat, (2 Piece Set)
13	1935255	4	NUT, Speed, 5/16-18
14	1930601	4	CAPSCREW, Hex Head Taptite, 5/16-18 x 5/8
15	1722309	2	PLUG, Hole Black
16	1722109	1	POD, LH, w/Cup holder
17	1924940	2	WASHER
18	1722313	1	COVER, Cruise, w/Symbols
19	1921959	8	CAPSCREW, Hex Head, 1/4-20 x 5/8
20	1722300	1	GAS GAUGE
21	1722337	1	GROMMET
22	1715917	1	CAP, Gas
23	1726902	1	TUBE & ELBOW ASSEMBLY, with Screen, Fuel
24	1654930	1	BUSHING
25	1722652	1	TANK, Fuel
26	1931277	4	NUT, Hex Whiz Lock, 5/16-18
27	1960636	4	NUT, Hex KEPS, 5/16-18
28	1722671	1	DECK, Seat
28	1727397	1	DECK, Seat, Orange
29	1722108	1	POD, RH, w/2 Slots
30	1930591	1	CAPSCREW, Hex Head Flange Lock, 5/16-18 x 5/8
31	1722105	1	TUNNEL, Footrest
32	1663752	2	SPACER
33	1930645	2	NUT, Hex Flange Lock, 3/8-16

Footnotes

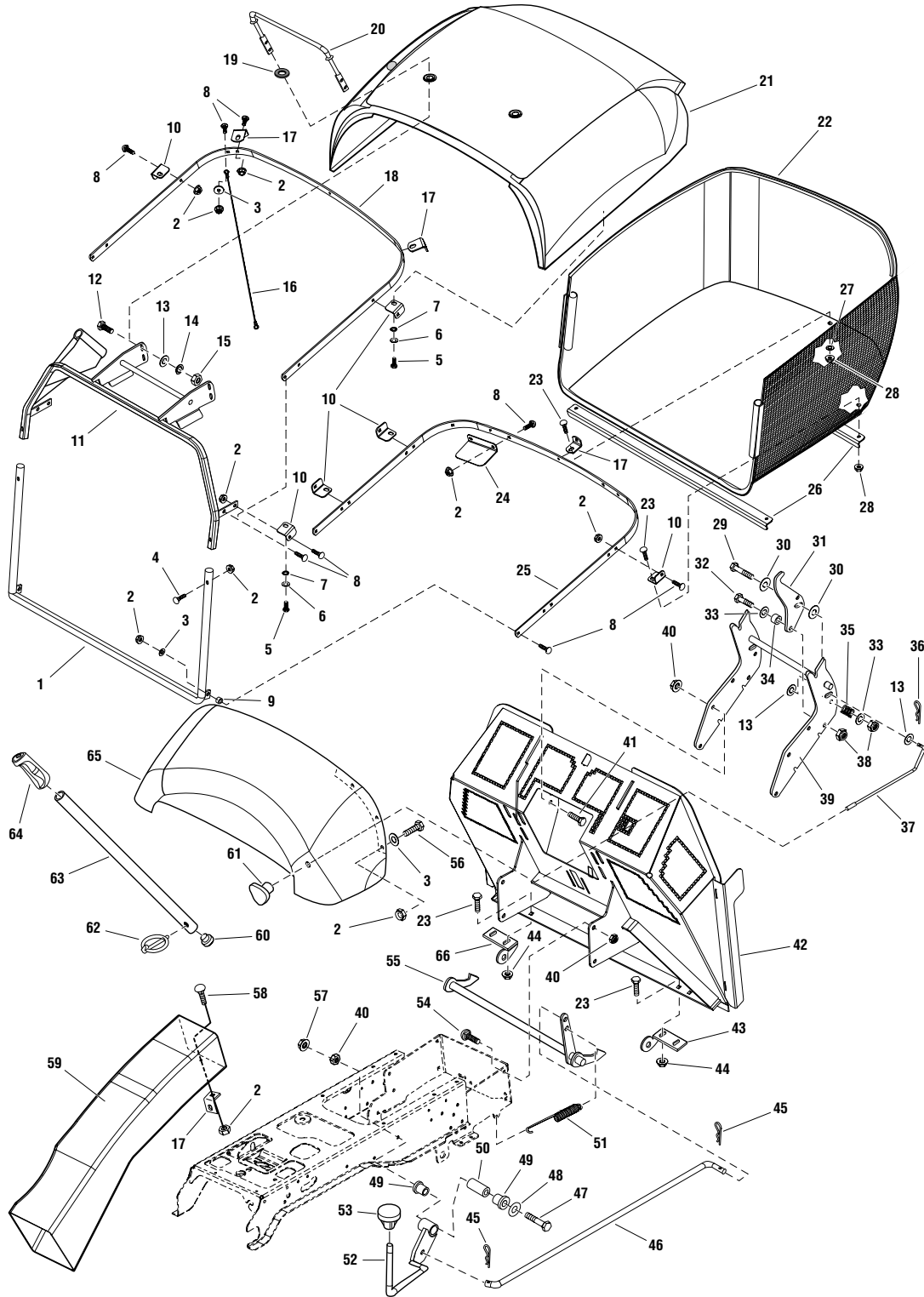
The above parts group applies to the following Mfg. Nos.:

1694670 - Baron XL
 1694671 - Baron XL
 1694672 - Baron XL
 1694673 - Baron XL

Hopper Group

986813

NOTE: Unless noted otherwise,
use the standard hardware torque
specification chart.



The above parts group applies to the following Mfg. Nos.:

- 1694670 - Baron XL
- 1694671 - Baron XL
- 1694672 - Baron XL
- 1694673 - Baron XL

Hopper Group

REF NO	PART NO.	QTY.	DESCRIPTION
1	1727486	1	ROD & TABS ASSEMBLY, Bagger Front
2	1960685	22	NUT, Hex KEPS Conical Washer, 1/4-20
3	1960353	8	WASHER, 1/4
4	1931320	4	CARRIAGE BOLT, 1/4-20 x 1-1/4
5	1921333	6	CAPSCREW, Hex Head, 5/16-18 x 1 G5
6	1917356	6	LOCKWASHER, Spring 5/16
7	1919326	6	WASHER, 5/16
8	1931317	15	CARRIAGE BOLT, 1/4-20 x 3/4 G5
9	1715654	2	SPACER
10	1727674	6	CLIP, L 12GA
11	1727420	1	FRAME ASSEMBLY, Hopper
12	1924009	4	CAPSCREW, Hex Head, 1/4-20 x 7/8 G5
13	1921319	3	WASHER, 1/4
14	1916964	4	LOCKWASHER, Spring 1/4
15	1916622	4	NUT, Hex 1/4-20
16	1727832	2	CABLE, Bagger, 17.72 Long
17	1727676	4	CLIP, L 12GA
18	1727671	1	BAR, Bagger Top 7GA
19	1724684	2	WASHER, 5/8
20	1724399	1	HANDLE, Hopper, 13.59 Long
21	1727930	1	LID & SCREEN ASSEMBLY, Orange
21	1727931	1	LID & SCREEN ASSEMBLY, Red
22	1727423	1	BAG, Grass Black Cloth
23	1931334	9	CARRIAGE BOLT, 5/16-18 x 7/8 G5
24	1727520	1	PLATE, Tube Stop Bagger 14GA
25	1727670	1	BAR, Bagger Bottom 7GA
26	1727675	2	BRACE, Angle
27	1960044	1	WASHER, 5/16
28	1960684	5	NUT, Hex KEPS Conical Washer, 5/16-18
29	1921978	1	CAPSCREW, Hex Head, 5/16-18 x 2 G5
30	1960044	2	WASHER, 5/16
31	1724651	1	LATCH, Release 10GA
32	1921333	1	CAPSCREW, Hex Head, 5/16-18 x 1 G5
33	1919326	2	WASHER, 5/16
34	1666697	1	SPACER, Powdered Metal
35	1714263	1	SPRING, Compression
36	1923360	1	PIN, Cotter
37	1724652	1	ROD, Foot Pedal Bagger Release, 11.66 Long, 2 Bends
38	1919438	2	NUT, Hex Lock ESNA Light, 5/16-18 NC-3B
39	1727580	1	PIVOT ASSEMBLY, Latch
40	1928352	5	NUT, Hex Flange Whiz Lock, 3/8-16 Large
41	1921965	4	CAPSCREW, Hex Head, 3/8-16 x 3/4 G5

Footnotes

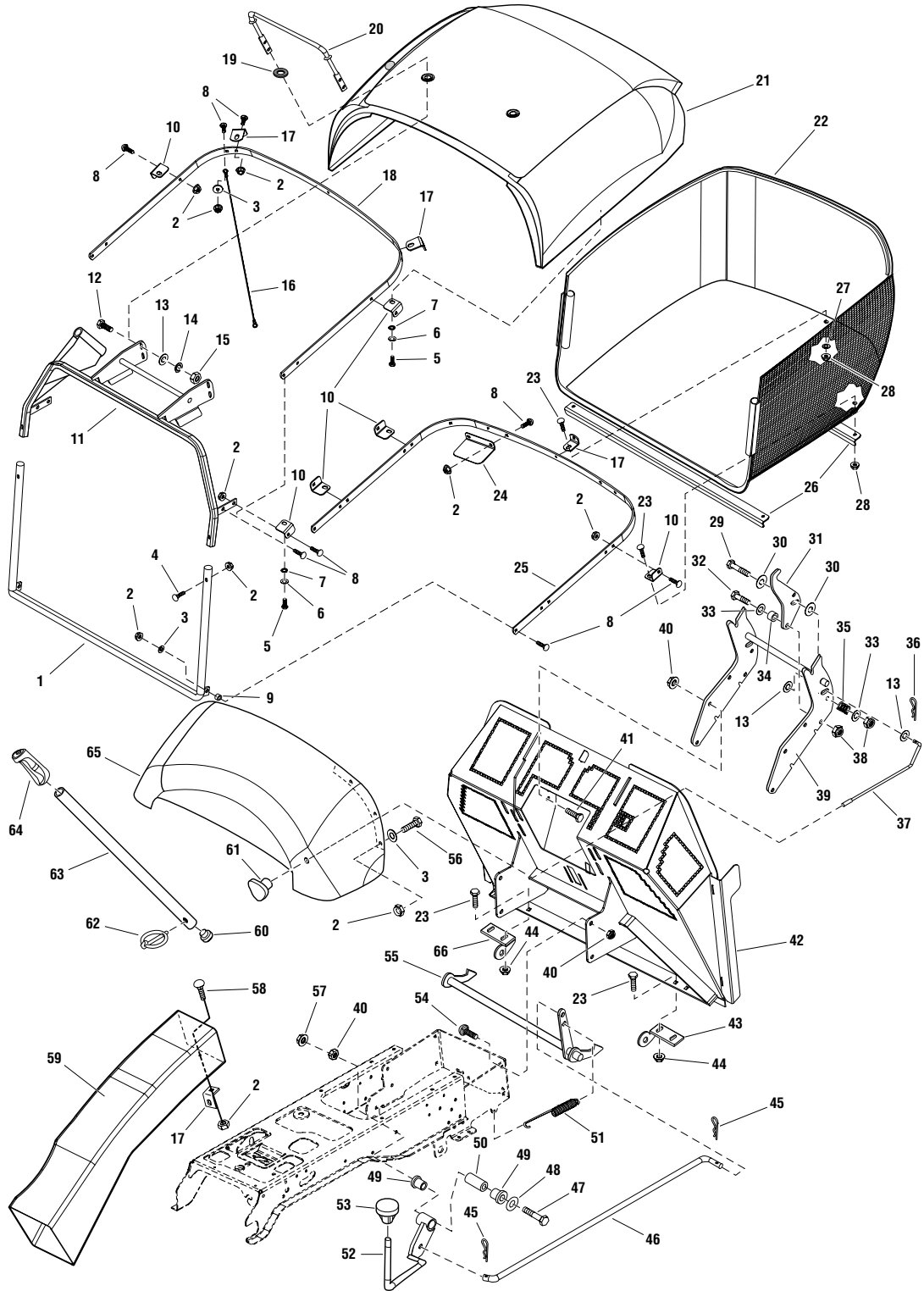
The above parts group applies to the following Mfg. Nos.:

1694670 - Baron XL
1694671 - Baron XL
1694672 - Baron XL
1694673 - Baron XL

Hopper Group

986813

NOTE: Unless noted otherwise,
use the standard hardware torque
specification chart.



The above parts group applies to the following Mfg. Nos.:

- 1694670 - Baron XL
- 1694671 - Baron XL
- 1694672 - Baron XL
- 1694673 - Baron XL

Hopper Group

REF NO	PART NO.	QTY.	DESCRIPTION
42	1727419	1	BACKPLATE ASSEMBLY
43	1723182	1	BRACKET, Latch LH, 7GA
44	1931277	4	NUT, Hex Flange Whiz Lock, 5/16-18 Small
45	1960074	2	CLIP, Hair Pin, Spring Wire
46	1724458	1	ROD, 25.12 Long, 2 Bends
47	1921973	1	CAPSCREW, Hex Head, 3/8-16 x 2-3/4 G5
48	1924940	1	WASHER, 3/8
49	1676148	2	BUSHING, Powdered Metal
50	1669105	1	SPACER, 1-1/2 Long, Hardened
51	1718016	1	SPRING, Extension
52	1725036	1	ROD & TUBE ASSEMBLY, Differential Lock Pedal
53	1719940	1	KNOB, Hole 1/2, 1.37 Long
54	1960268	4	CARRIAGE BOLT, 3/8-16 x 1-1/4 G5
55	1724540	1	SHAFT & ARMS ASSEMBLY, Latch
56	1960556	4	SCREW, Pan Head Torx Taptite, 1/4-20 x 3/4
57	1930645	1	NUT, Hex Flange Two Way Lock, 3/8-16 GA
58	1923341	1	CAPSCREW, Hex Head, 1/4-20 x 3/4 G5
59	1727429	1	CHUTE, Discharge Black Poly
60	1724553	1	CAPLUG, Black Poly, 3/4 Hole
61	1713855	1	KNOB, Bagger Release
62	1666969	1	PIN, Klik 5/164
63	1727523	1	HANDLE, Tube, 39.75 Long
64	1723359	1	GRIP, Hopper Lift Rod
65	1727406	1	TRANSITION, Hopper Black
66	1723181	1	BRACKET, Latch RH, 7GA

Footnotes

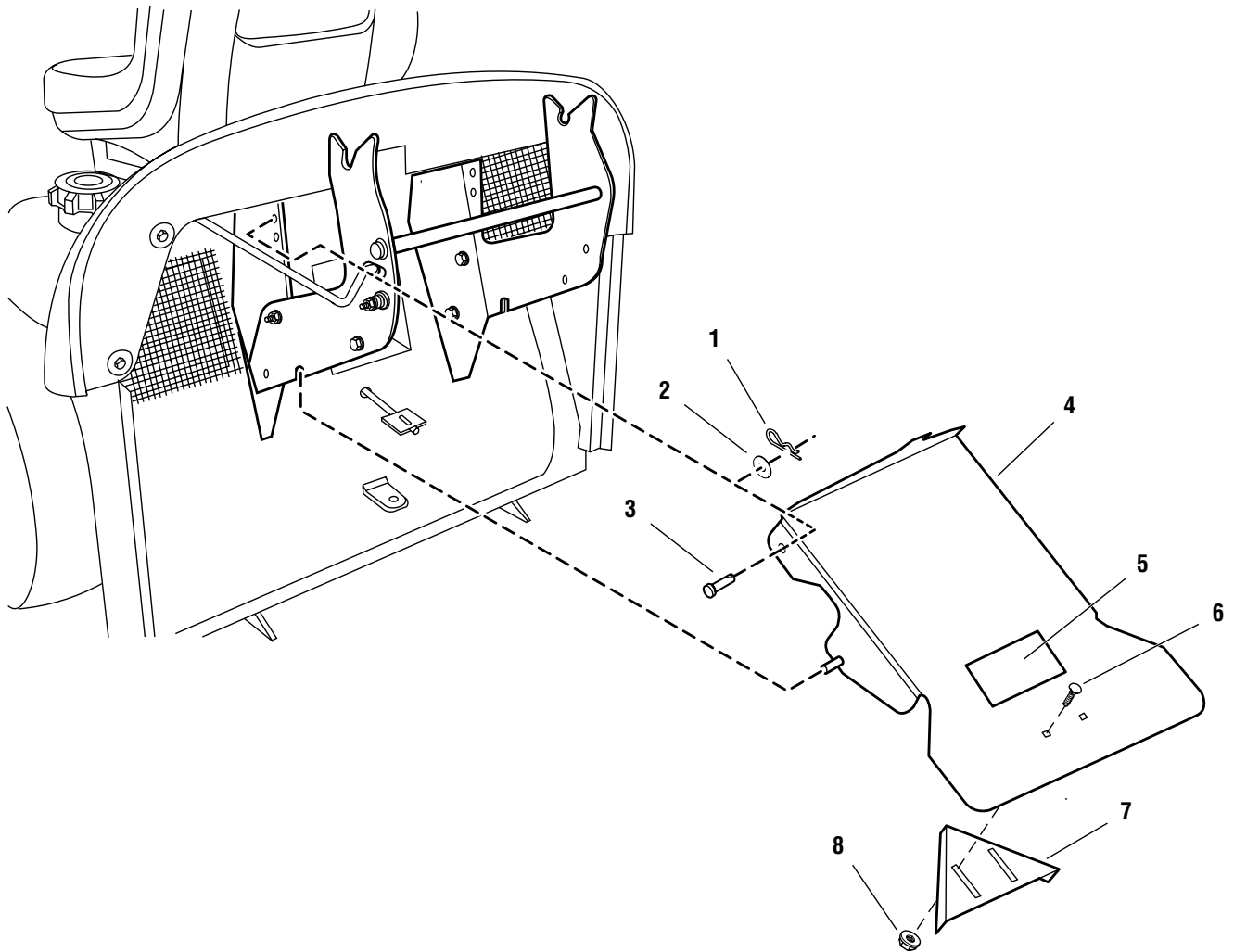
The above parts group applies to the following Mfg. Nos.:

1694670 - Baron XL
1694671 - Baron XL
1694672 - Baron XL
1694673 - Baron XL

Deflector Group

986863

NOTE: Unless noted otherwise,
use the standard hardware torque
specification chart.



The above parts group applies to the following Mfg. Nos.:

1694670 - Baron XL

1694671 - Baron XL

1694673 - Baron XL

Deflector Group

REF NO	PART NO.	QTY.	DESCRIPTION
1	1960074	2	CLIP, Hair Pin
2	1919381	2	WASHER, 5/16
3	1723683	2	PIN, Clevis
4	1724935	1	DEFLECTOR & PINS ASSEMBLY
5	1720391	1	DECAL, Danger Operating without Catcher
6	1960252	2	CARRIAGE BOLT, 1/4-20 x 5/8 G5
7	1724864	1	DEFLECTOR, 16GA
8	1960685	2	NUT, Hex KEPS Conical Washer, 1/4-20

Footnotes

The above parts group applies to the following Mfg. Nos.:

1694670 - Baron XL

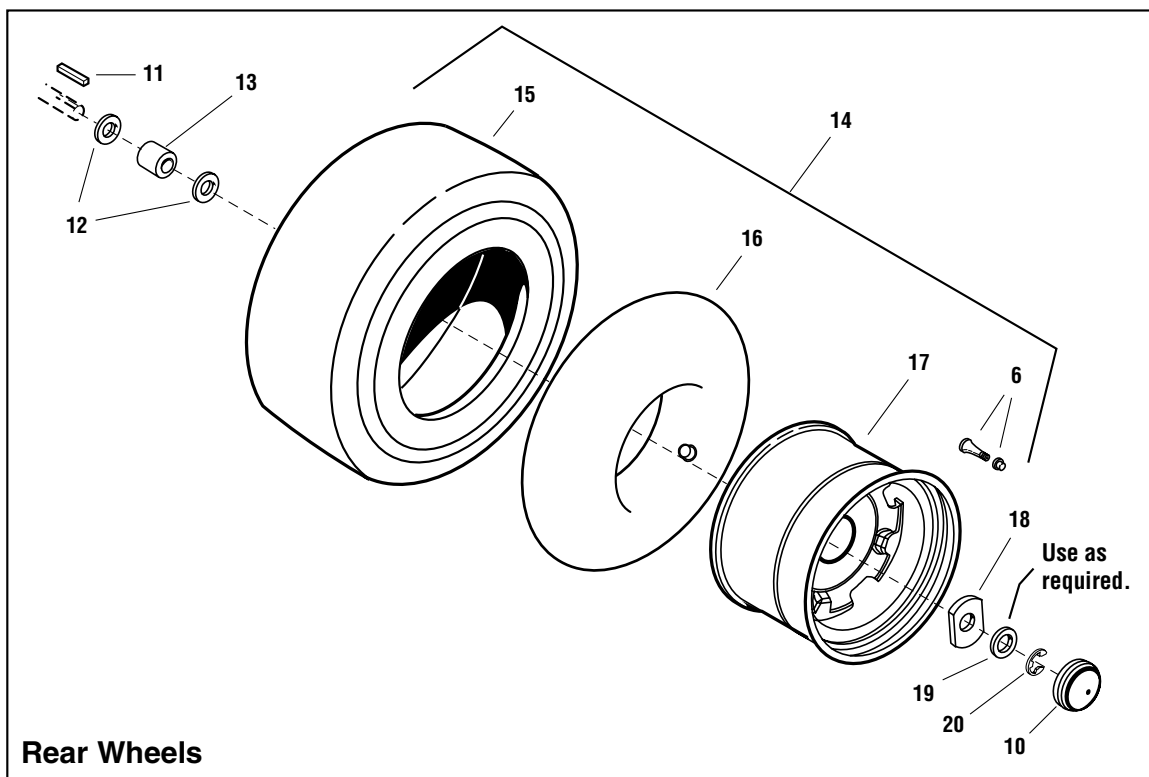
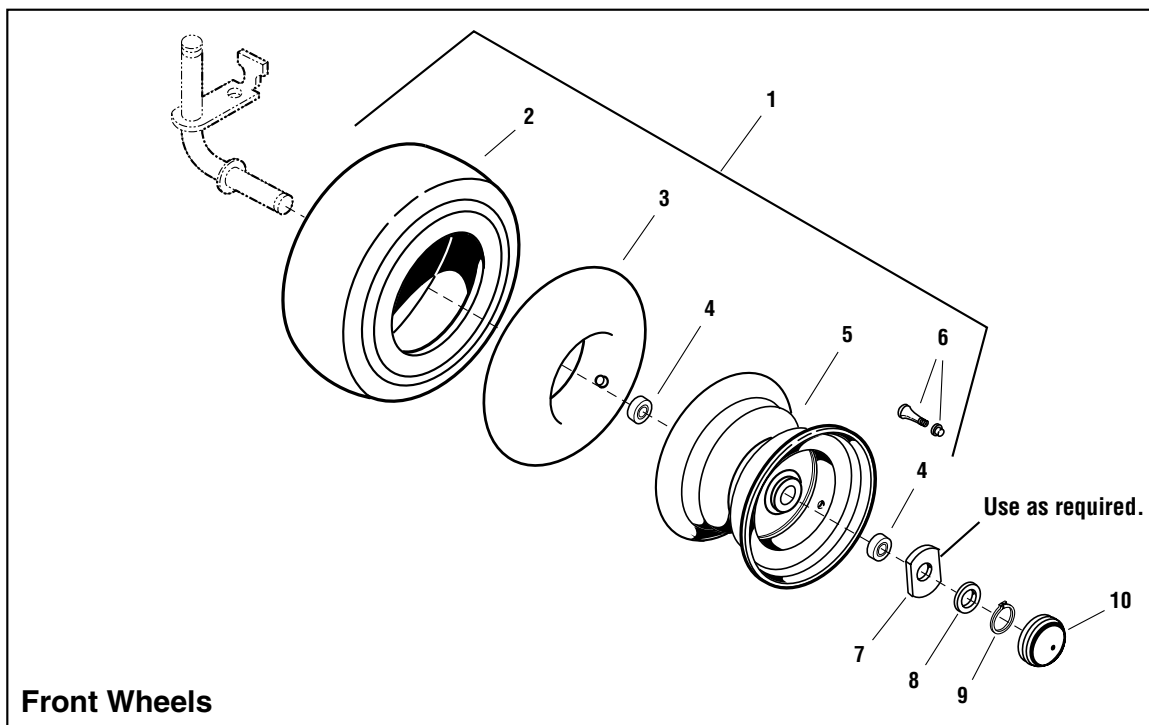
1694671 - Baron XL

1694673 - Baron XL

Wheels & Tires Group

NOTE: Unless noted otherwise,
use the standard hardware torque
specification chart.

W986625



The above parts group applies to the following Mfg. Nos.:

- 1694670 - Baron XL
- 1694671 - Baron XL
- 1694672 - Baron XL
- 1694673 - Baron XL

Wheels & Tires Group

REF NO	PART NO.	QTY.	DESCRIPTION
1	1722065	2	WHEEL & TIRE ASSEMBLY, Front, (Includes Ref. Nos. 2, 3, 4, 5, & 6)
2	1722838	1	TIRE, 15 x 6, Super Turf
3	1664090	1	TUBE, Tire, Front, 4.10/3.50
4	1717056	2	BEARING, Ball
5	1722837	1	WHEEL, 4-1/2" x 6"
6	172353	4	VALVE STEM & CAP ASSEMBLY
7	1722726	4	WASHER, Special, (As Required)
8	1919394	4	WASHER, 1, (As Required)
9	932577	2	RING, Retaining, External #98
10	1722676	4	CAP, Hub, Gray
11	8221042	2	KEY, Parellel, 3/16 x 3/16 x 1-1/2
12	960202	4	WASHER, 3/4
13	1709527	2	SPACER
14	1721694	2	WHEEL & TIRE ASSEMBLY, (Includes Ref. Nos. 6, 15, 16 & 17)
15	1722826	1	TIRE, 20 x 10, 8 Super Turf
16	173477	1	TUBE, Tire, 20 x 8, Rear
17	1722835	1	WHEEL, 7 x 7.96, W/ 3/4 OD Shaft
18	1722717	2	WASHER, Special
19	1960114	2	WASHER, 3/4
20	927794	2	RING, "E" External

Footnotes

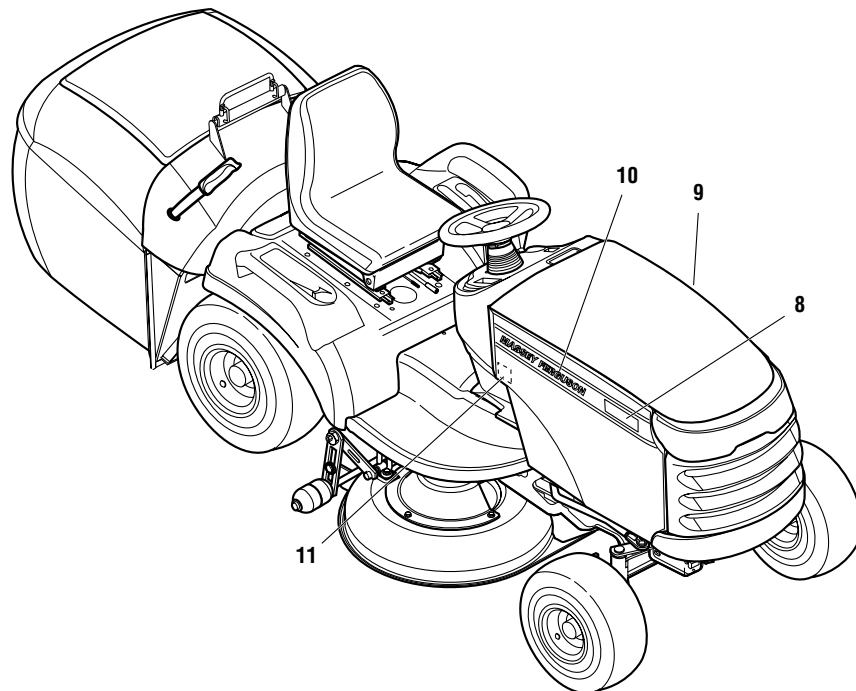
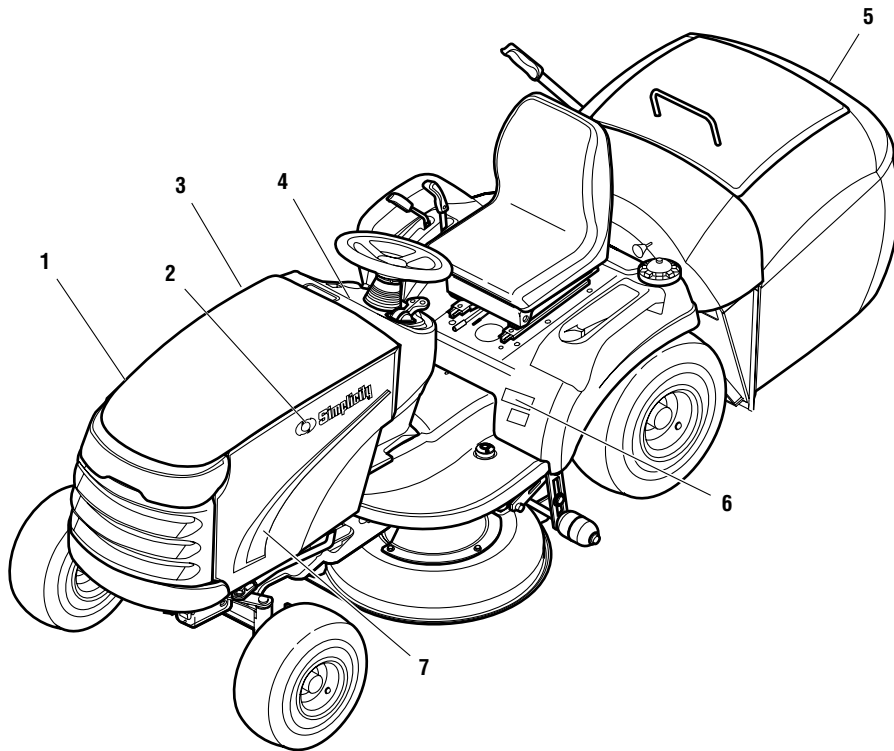
The above parts group applies to the following Mfg. Nos.:

1694670 - Baron XL
1694671 - Baron XL
1694672 - Baron XL
1694673 - Baron XL

Decals Group - Brand & Model

NOTE: Unless noted otherwise,
use the standard hardware torque
specification chart.

B986625



The above parts group applies to the following Mfg. Nos.:

1694670 - Baron XL
1694671 - Baron XL
1694672 - Baron XL
1694673 - Baron XL

Decals Group - Brand & Model

REF NO	PART NO.	QTY.	DESCRIPTION
1	1722773	1	DECAL, Hood Stripe RH, Simplicity
2	1727718	1	DECAL, Hood LH, Simplicity
3	1727717	1	DECAL, Hood RH, Simplicity
4	1727714	1	DECAL, Baron XL
5	1723859	1	DECAL, Simplicity
6	1722784	1	DECAL, Baron
7	1722774	1	DECAL, Hood Stripe LH, Simplicity
8	1728095	2	DECAL, 2420 Massey Ferguson
8	1728121	2	DECAL, 2418 Massey Ferguson
9	1727784	1	DECAL, Hood Stripe LH, Massey Ferguson
10	1727783	1	DECAL, Hood Stripe RH, Massey Ferguson
11	1720454	1	DECAL, Touch Up Paint (Orange)
11	1725072	1	DECAL, Touch Up Paint (Red)

Footnotes

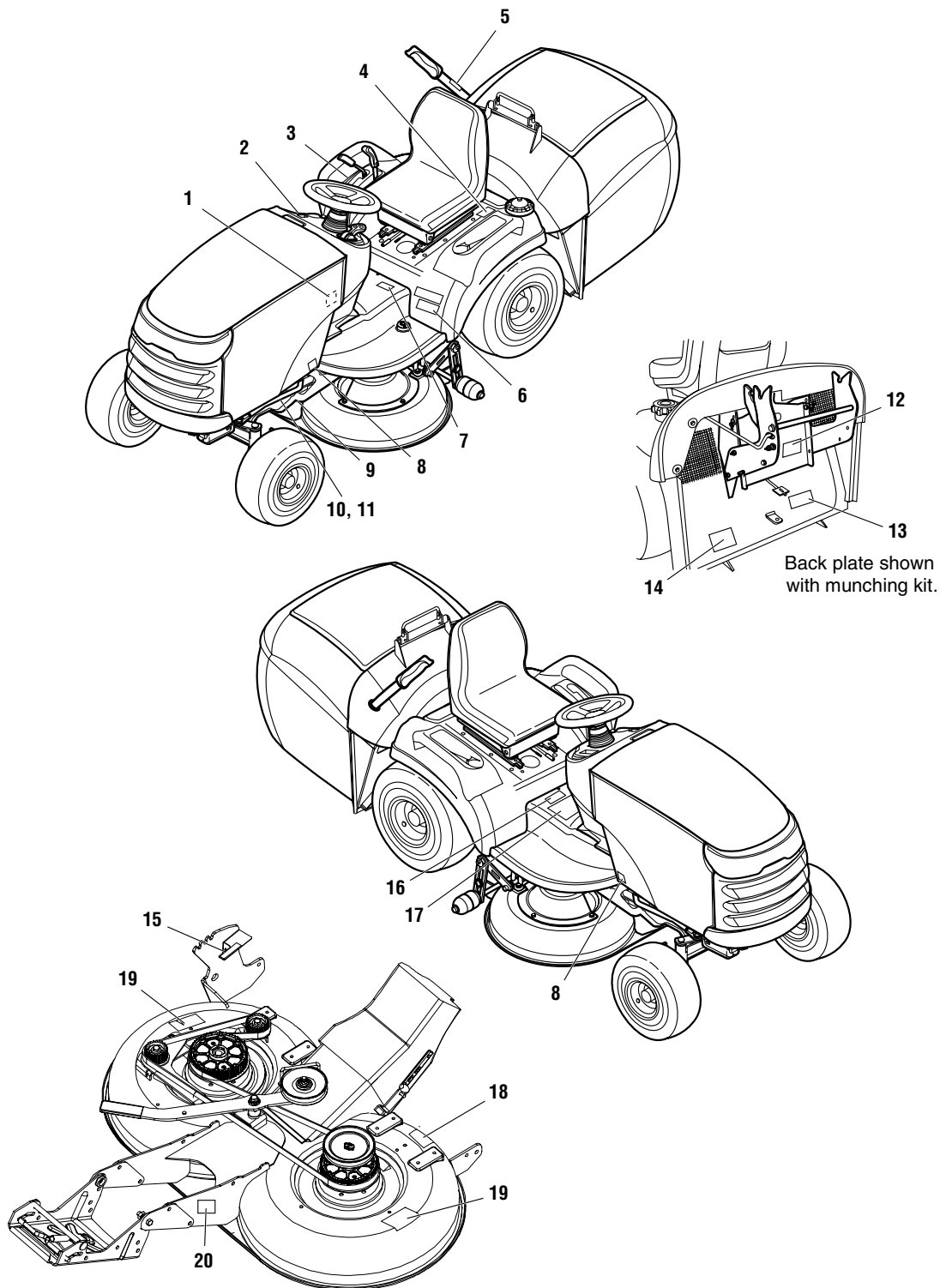
The above parts group applies to the following Mfg. Nos.:

1694670 - Baron XL
1694671 - Baron XL
1694672 - Baron XL
1694673 - Baron XL

Decals Group - Safety & Common

NOTE: Unless noted otherwise,
use the standard hardware torque
specification chart.

C986625



The above parts group applies to the following Mfg. Nos.:

- 1694670 - Baron XL
- 1694671 - Baron XL
- 1694672 - Baron XL
- 1694673 - Baron XL

Decals Group - Safety & Common

REF NO	PART NO.	QTY.	DESCRIPTION
1	1727713	1	DECAL, Belt and Blade
2	1722806	1	DECAL, Ignitiaon Switch Symbols
3	1723713	1	DECAL, Cruise/Lift
4	1724680	1	DECAL, Hopper Release
5	1723310	1	DECAL, Hopper Lever
6	1722779	1	DECAL, 18HP
6	1722780	1	DECAL, 20HP
7	1723317	1	DECAL, Hopper Pedal
8	1723296	2	STICKER, Protective Clear, 1-3/4 x 1-3/4
9	*	2	LABEL, Decibel
10	*	1	ID PLATE, Tractor
11	*	1	DECAL, Patent
12	1723425	1	DECAL, Transmission Release Valve, Symbol
13	1721141	1	DECAL, Drawbar Max Load
14	1720391	1	DECAL, Danger Operating without Catcher
15	1723470	1	DECAL, Height of Cut
16	1720390	1	DECAL, Danger Catcher Open, Symbol
17	1723175	1	DECAL, Operator Tunnel Icons, (CE)
18	1721107	1	DECAL, Danger Discharge Tube, Symbols
19	1720389	2	DECAL, Danger Rotating Blades, Symbols
20	*	1	ID PLATE, Mower Deck

Footnotes

* Not a serviceable part.

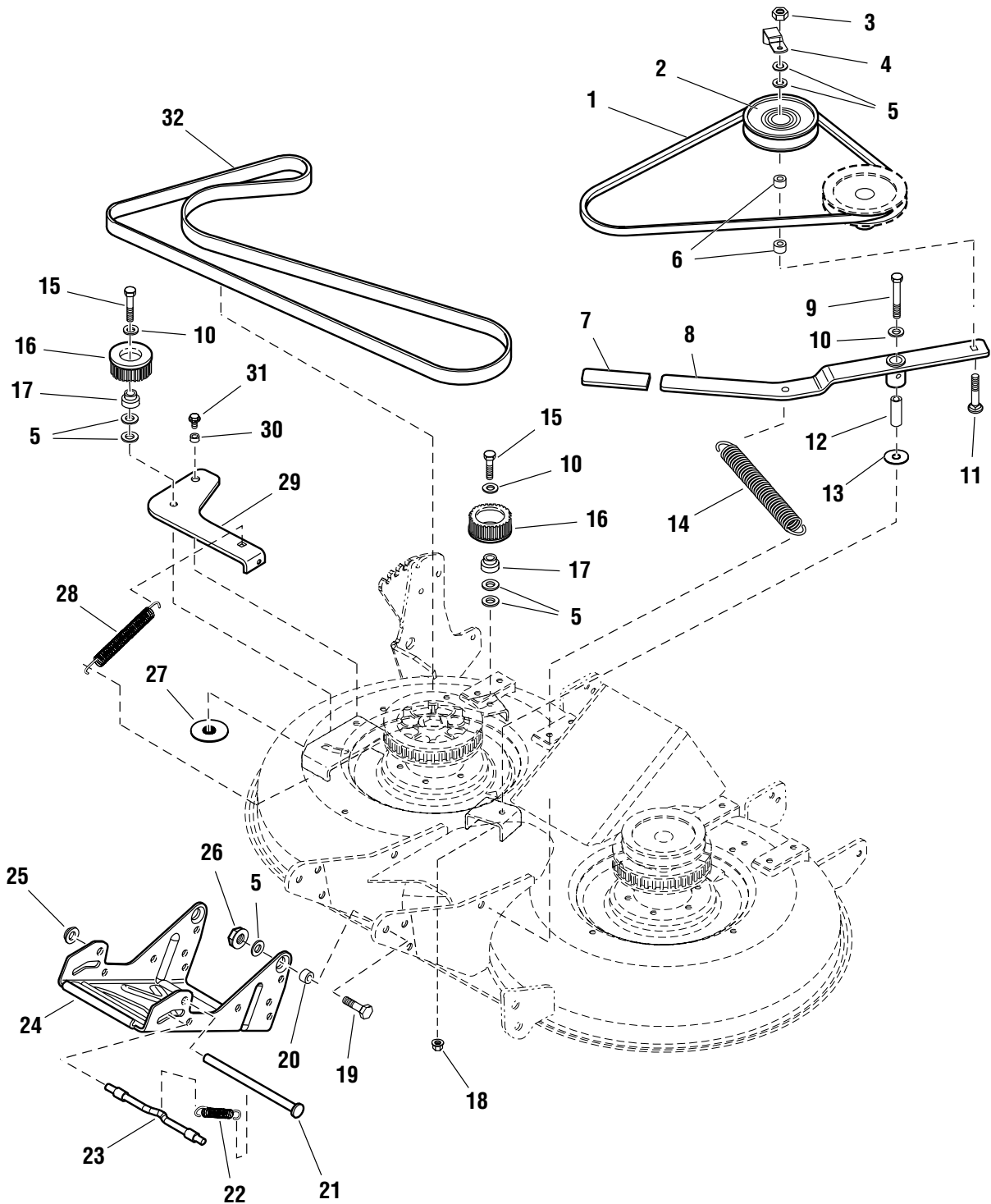
The above parts group applies to the following Mfg. Nos.:

1694670 - Baron XL
1694671 - Baron XL
1694672 - Baron XL
1694673 - Baron XL

40" Mower Deck - Belt, Idle Arm & Hitch

986896

NOTE: Unless noted otherwise,
use the standard hardware torque
specification chart.



The above parts group applies to the following Mfg. Nos.:

1694790 - 40" Mower

1694796 - 40" Mower

40" Mower Deck - Belt, Idle Arm & Hitch

REF NO	PART NO.	QTY.	DESCRIPTION
1	1725557	1	V-BELT
2	101096	1	PULLEY, 4-1/2 OD
3	1919439	1	NUT, Hex Lock ESNA, 3/8-16
4	1719842	1	STOP, Belt
5	1924940	7	WASHER
6	157081	2	SPACER
7	1719965	1	GRIP, Black
8	1720444	1	IDLER ARM ASSEMBLY, w/Bushings
9	1960614	1	CAPSCREW, Hex Head, 3/8-16 x 3, G8
10	1922755	3	WASHER
11	1960615	1	CARRIAGE BOLT, 3/8-16 x 2-1/2
12	1657242	1	SPACER
13	1933263	1	WASHER
14	1715435	1	SPRING, Extension
15	1923701	2	CAPSCREW, Hex Head, 3/8-16 x 2
16	1724802	2	PULLEY, Idler
17	1719221	2	HUB, Pulley
18	1928352	2	NUT, Hex Flange Lock, 3/8-16
19	1921968	2	CAPSCREW, Hex Head, 3/8-16 1-3/8
20	172329	2	SPACER
21	1713578	1	ROD
22	156302	1	SPRING, Extension
23	1715759	1	ROD
24	1720044	1	HITCH, Mower
25	1960519	1	NUT, Push
26	960681	2	NUT, Spiral Flange Toplock, 3/8-16
27	1721425	1	WASHER & LOCK NUT ASSEMBLY, 3/8-16
28	1674671	1	SPRING, Extension
29	1726387	1	ARM, Idler
30	1666697	1	SPACER
31	1930601	1	CAPSCREW, Hex Head Taptite, 5/16-18 x 5/8
32	1724626	1	BELT, Timing

Footnotes

The above parts group applies to the following Mfg. Nos.:

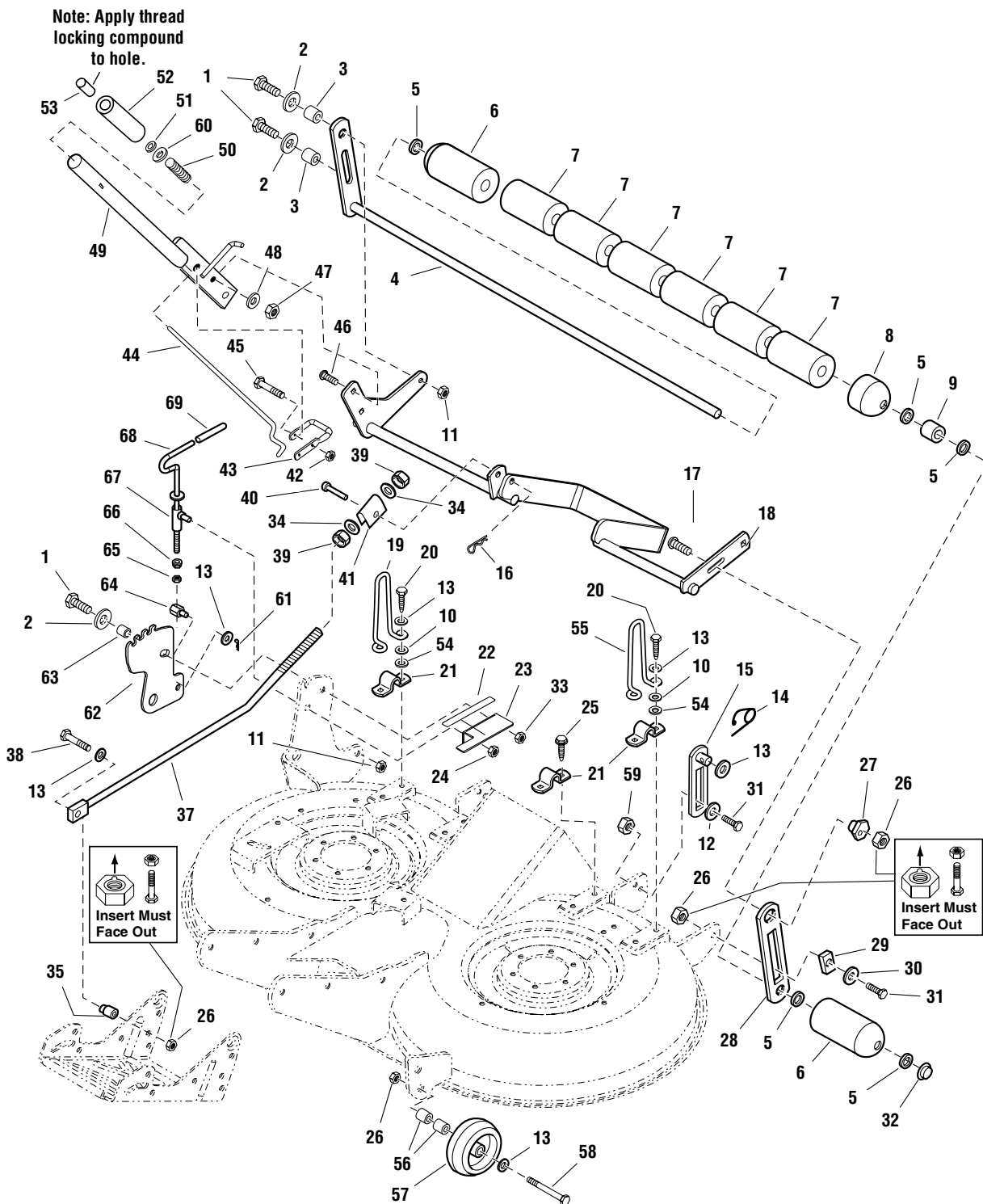
1694790 - 40" Mower

1694796 - 40" Mower

40" Mower Deck - Height Adjustment & Roller Bar

986816

NOTE: Unless noted otherwise,
use the standard hardware torque
specification chart.



The above parts group applies to the following Mfg. Nos.:

- 1694790 - 40" Mower
- 1694796 - 40" Mower

40" Mower Deck - Height Adjustment & Roller Bar

REF NO	PART NO.	QTY.	DESCRIPTION
1	1921977	3	CAPSCREW, Hex Head, 5/16-18 x 1-1/4
2	1960044	3	WASHER
3	1960236	2	SPACER
4	1723305	1	SHAFT & BAR ASSEMBLY
5	1924366	7	WASHER
6	1722036	2	ROLLER
7	1668513	6	ROLLER
8	1717675	1	ROLLER
9	1602946	1	SPACER
10	1919381	4	WASHER
11	960643	2	NUT, Hex Flange Lock, 5/16-18
12	1960170	2	WASHER, 3/8
13	1924940	8	WASHER
14	176012	1	RETAINER, Pin
15	1725043	1	LINK & PIN ASSEMBLY
16	1722460	1	PIN, Retaining
17	1931352	1	CARRIAGE BOLT, 3/8-16 x 1-1/2
18	1726049	1	SHAFT & ARM ASSEMBLY
19	1720659	1	STOP, Up
20	1931202	4	CAPSCREW, Hex Head Taptite, 5/16-18 x 1-1/4
21	1665374	3	STRAP
22	1723470	1	DECAL, Height of Cut
23	1720931	1	BRACKET, Height of Cut
24	1919438	2	NUT, Hex ESNA, 3/8-16
25	1664847	2	CAPSCREW, Hex Head Taptite, 5/16-18 x 3/4
26	960681	5	NUT, Spiral Flange Toplock, 3/8-16
27	1704082	1	NUT, Hex Adjusting
28	1704073	1	BAR
29	1677507	1	SLIDE
30	1924361	1	WASHER
31	172622	3	SHOULDER BOLT, 3/8-16
32	1960520	1	NUT, Push
33	1930651	1	NUT, Hex Centerlock, 3/8-16
34	1960703	2	WASHER, 21/32 x 1 x 1/64
35	1706644	1	SPACER
36	1921332	2	CAPSCREW, Hex Head, 5/16-18 x 3/4
37	1722661	1	ROD, Adjusting
38	1922606	1	CAPSCREW, Hex Head, 3/8-16 x 1-3/4, GR8
39	1915726	2	NUT, Hex, 5/8-11
40	118053	1	PIN, Round Head Drilled, 3/8 x 2
41	1706645	1	TRUNNION
42	1920397	1	NUT, Hex Lock ESNA, 1/4-20

Footnotes

The above parts group applies to the following Mfg. Nos.:

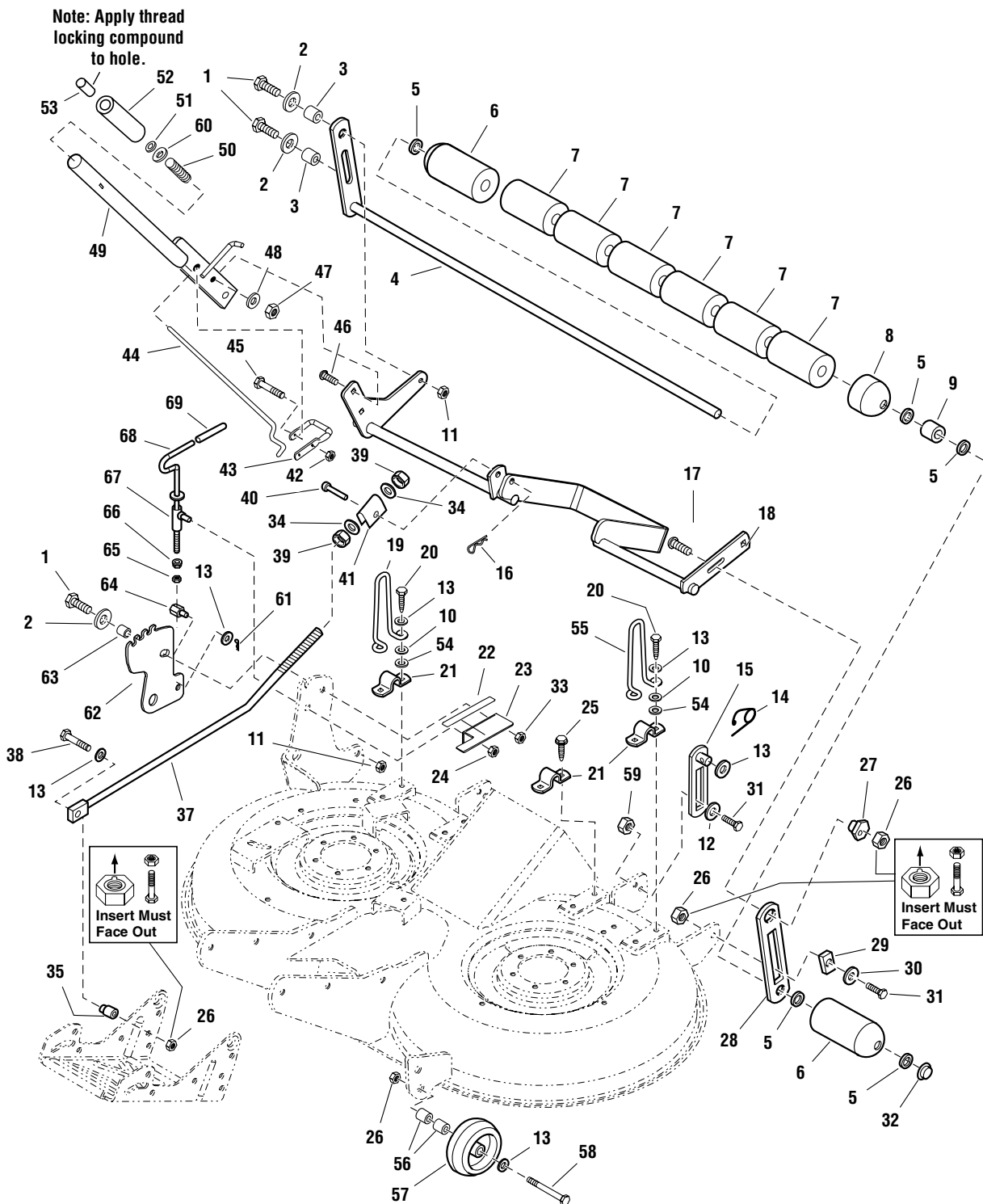
1694790 - 40" Mower

1694796 - 40" Mower

40" Mower Deck - Height Adjustment & Roller Bar

986816

NOTE: Unless noted otherwise,
use the standard hardware torque
specification chart.



The above parts group applies to the following Mfg. Nos.:

- 1694790 - 40" Mower
- 1694796 - 40" Mower

40" Mower Deck - Height Adjustment & Roller Bar

REF NO	PART NO.	QTY.	DESCRIPTION
43	1720599	1	LATCH, "U"
44	1721257	1	ROD
45	1921159	1	CAPSCREW, Hex Head 1/4-20 x 2-1/4
46	1931335	2	CARRIAGE BOLT, 5/16-18 x 1
47	1917372	2	NUT, Hex, 5/16-18
48	1917356	2	LOCKWASHER, 5/16
49	1720695	1	HANDLE ASSEMBLY, Lift
50	1723321	1	SPRING, Compression
51	1960674	1	NUT, Push
52	1713995	1	GRIP, Black
53	1723124	1	BUTTON, Red
54	1933988	4	NUT, Push
55	1719929	1	UPSTOP
56	1669585	4	SPACER
57	1714760	2	WHEEL, Gauge
58	1923903	2	CAPSCREW, Hex Head, 3/8-16 x 3
59	1916950	2	NUT, Hex, 3/8-16
60	1918265	1	WASHER, 11/32 x 11/16 x 1/16
61	1918447	1	PIN, Cotter, 15/16 x 3/4
62	1723409	1	BRACKET, Adjusting
63	1666697	1	SPACER, 21/64 x 1/2 x 7/32
64	108512	1	PIVOT, 3/4 Hex
65	1917421	1	NUT, Hex Jam, 3/8-16 NC-2B
66	1960601	1	NUT, Hex Flange, 3/8-16
67	108241	1	GUIDE ASSEMBLY, Rod
68	1720704	1	ROD & WASHER ASSEMBLY, Adjustment Handle
69	1651820	1	GRIP, Black Vinyl

Footnotes

The above parts group applies to the following Mfg. Nos.:

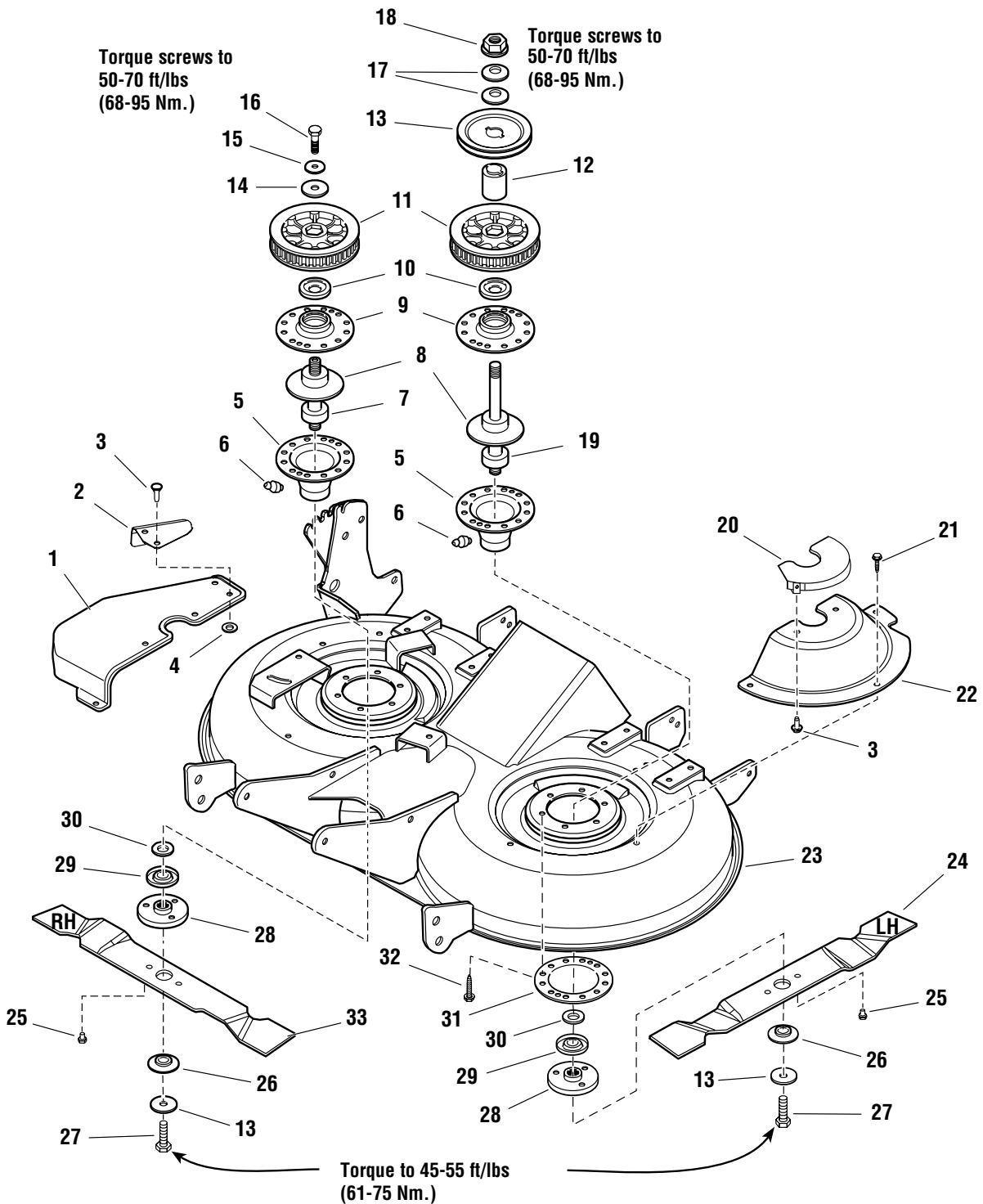
1694790 - 40" Mower

1694796 - 40" Mower

40" Mower Deck - Housing, Arbors & Blade

986817

NOTE: Unless noted otherwise,
use the standard hardware torque
specification chart.



The above parts group applies to the following Mfg. Nos.:

- 1694790 - 40" Mower
- 1694796 - 40" Mower

40" Mower Deck - Housing, Arbors & Blade

REF NO	PART NO.	QTY.	DESCRIPTION
1	1724600	1	COVER, Arbor, RH
2	1721132	1	GUARD, Extension
3	1675044	4	RIVET, Pop
4	1960096	2	WASHER
5	1703273	2	HOUSING, Arbor, Bottom w/Lube Fitting
6	1704314	2	FITTING, Lube
7	1722396	1	ARBOR SHAFT & BEARING ASSEMBLY
8	1707335	2	GASKET
9	1655729	2	HOUSING, Arbor, Top
10	1657969	2	SHIELD, Bearing
11	1724453	2	SPROCKET & FLANGE ASSEMBLY, 38 Tooth
12	1719862	1	HUB
13	1713091	1	PULLEY, 5" OD
14	1656916	2	WASHER, Spring
15	1933263	1	WASHER
16	1930584	1	CAPSCREW, Hex Head, 7/16-14 x 2-3/4, GR8
17	1713675	2	WASHER, Belleville
18	1714419	1	NUT, Hex Flange, 9/16-18
19	1726826	1	ARBOR SHAFT & BEARING ASSEMBLY
20	1721258	1	GUARD & BRACKET ASSEMBLY, LH
21	1664847	6	CAPSCREW, Hex Head Taptite, 5/16-18 x 3/4
22	1724601	1	COVER, Arbor, LH
23	1727233	1	HOUSING ASSEMBLY, Orange
23	1729363	1	HOUSING ASSEMBLY, Red
24	1719736	1	BLADE, Mower LH, Standard
24	1727477	1	BLADE, Mower LH, Mulching High Lift
25	1722258	2	PIN, Blade
26	1722257	2	WASHER, Spline
27	927120	2	CAPSCREW, Hex Head, 7/16-14 x 2-1/4, GR8
28	1655777	2	ADAPTER, Blade
29	1700229	2	SHIELD, Bearing
30	1700230	2	WASHER, Shim
31	1677274	2	ADAPTER, Arbor
32	1960373	12	CAPSCREW, Hex Head Taptite, 5/16-18 x 1
33	1719737	1	BLADE, Mower RH, Standard
33	1727478	1	BLADE, Mower RH, Mulching High Lift

Footnotes

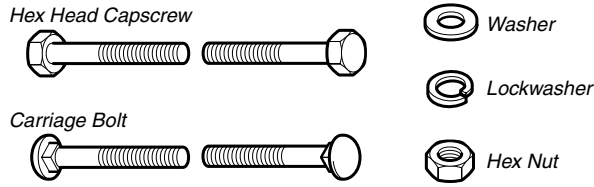
The above parts group applies to the following Mfg. Nos.:

1694790 - 40" Mower

1694796 - 40" Mower

Hardware Identification & Torque Specifications

Common Hardware Types

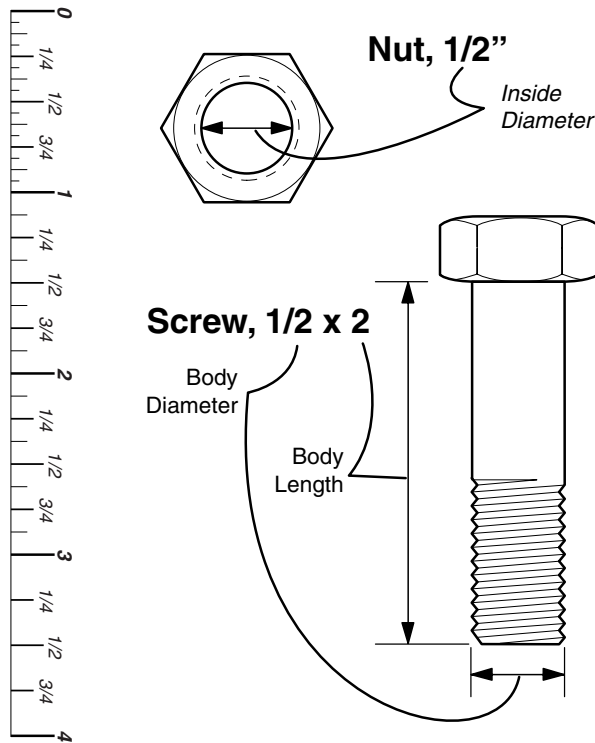


Standard Hardware Sizing

When a washer or nut is identified as 1/2", this is the *Nominal size*, meaning the *inside diameter* is 1/2 inch; if a second number is present it represents the *threads per inch*

When bolt or capscrew is identified as 1/2 - 16 x 2", this means the *Nominal size*, or *body diameter* is 1/2 inch; the second number represents the *threads per inch* (16 in this example, and the final number is the *body length* of the bolt or screw (in this example 2 inches long).

The guides and ruler furnished below are designed to help you select the appropriate hardware and tools.



Torque Specification Chart

FOR STANDARD MACHINE HARDWARE (Tolerance ± 20%)

Hardware Grade	No Marks SAE Grade 2		SAE Grade 5		SAE Grade 8	
	in/lbs ft/lbs	Nm.	in/lbs ft/lbs	Nm.	in/lbs ft/lbs	Nm.
8-32	19	2.1	30	3.4	41	4.6
8-36	20	2.3	31	3.5	43	4.9
10-24	27	3.1	43	4.9	60	6.8
10-32	31	3.5	49	5.5	68	7.7
1/4-20	66	7.6	8	10.9	12	16.3
1/4-28	76	8.6	10	13.6	14	19.0
5/16-18	11	15.0	17	23.1	25	34.0
5/16-24	12	16.3	19	25.8	27	34.0
3/8-16	20	27.2	30	40.8	45	61.2
3/8-24	23	31.3	35	47.6	50	68.0
7/16-14	30	40.8	50	68.0	70	95.2
7/16-20	35	47.6	55	74.8	80	108.8
1/2-13	50	68.0	75	102.0	110	149.6
1/2-20	55	74.8	90	122.4	120	163.2
9/16-12	65	88.4	110	149.6	150	204.0
9/16-18	75	102.0	120	163.2	170	231.2
5/8-11	90	122.4	150	204.0	220	299.2
5/8-18	100	136	180	244.8	240	326.4
3/4-10	160	217.6	260	353.6	386	525.0
3/4-16	180	244.8	300	408.0	420	571.2
7/8-9	140	190.4	400	544.0	600	816.0
7/8-14	155	210.8	440	598.4	660	897.6
1-8	220	299.2	580	788.8	900	1,244.0
1-12	240	326.4	640	870.4	1,000	1,360.0

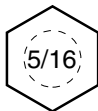
NOTES

- These torque values are to be used for all hardware excluding: locknuts, self-tapping screws, thread forming screws, sheet metal screws and socket head setscrews.
- Recommended seating torque values for locknuts:
 - for prevailing torque locknuts - use 65% of grade 5 torques.
 - for flange whizlock nuts and screws - use 135% of grade 5 torques.
- Unless otherwise noted on assembly drawings, all torque values must meet this specification.

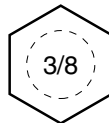
Wrench & Fastener Size Guide



1/4" Bolt or Nut
Wrench—7/16"



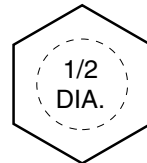
5/16" Bolt or Nut
Wrench—1/2"



3/8" Bolt or Nut
Wrench—9/16"



7/16" Bolt or Nut
Wrench (Bolt)—5/8"
Wrench (Nut)—11/16"



1/2" Bolt or Nut
Wrench—3/4"

Simplicity

MANUFACTURING, INC.
500 N. Spring Street / PO Box 997
Port Washington, WI 53074-0997 USA

www.simplicitymfg.com

© Copyright 2005 Simplicity Manufacturing, Inc.
All Rights Reserved. Printed In USA.

